

# RF SINGLE COLOR WALL MOUNTED 2 CHANNEL DIMMER

Catalog #		Type
Project		Date
Prepared by		

## SPECIFICATIONS

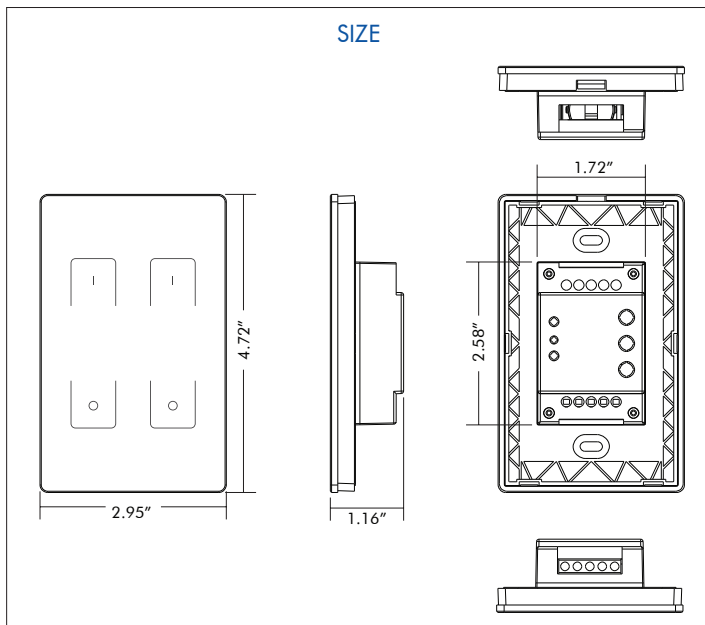
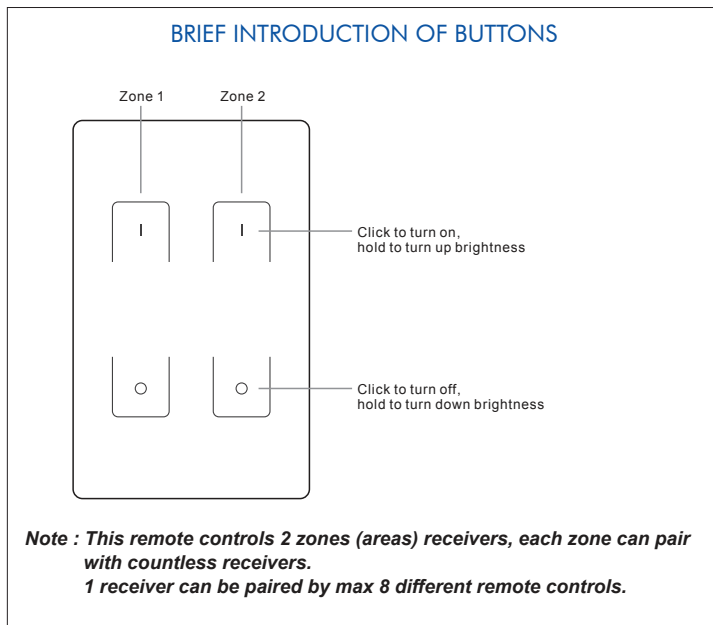
Operation Voltage..... 110V AC  
 Output ..... RF Signal  
 Dimension..... 4.72" x 2.95" x 1.16" (L120mm x W75mm x H29.5mm)



<b>MODEL #</b>	LB2833T(AC)
----------------	-------------

## Features and benefits:

- Touch sensitive
- Glass interface (white & black)
- Compatible with all universal series RF receivers
- Control 2 zones/areas



# RF SINGLE COLOR WALL MOUNTED 2 CHANNEL DIMMER

## OPERATION

### 1. Pair with RF receivers:

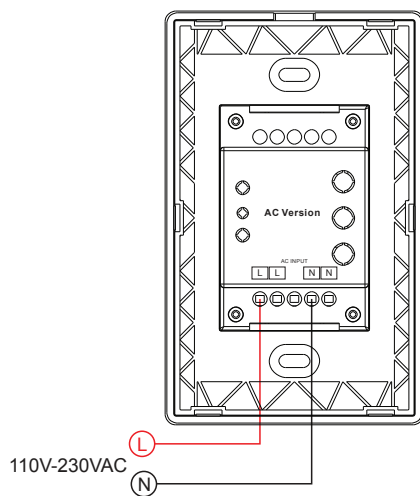
Click "Learning Key"  
on RF receiver

Click any key on the remote, led  
lights flicker twice means well paired

### 2. How to delete the pairing:

Power on the RF receiver, hold the "Learning Key" over 3 seconds until connected led lights flicker twice means well deleted.

## WIRING DIAGRAM



## INSTALLATION

