

PREPARED BY:

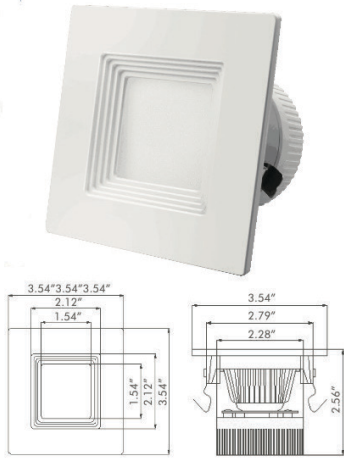
PROJECT:

TYPE:



# 3" GU10 LED RETROFIT WITH BAFFLE RETROFIT SERIES

Square



Round



## FEATURES

- Up to 75% energy saving compare to incandescent lamp
- 5%-100% smooth dimming, instant on and flicker-free
- Compatible with most Lutron brand dimmers
- ETL-listed & Energy Star certified for reliable quality
- Exceeds all industry standards - ENERGY STAR® rated
- ETL approved for damp locations
- Easy Installation
- Ideal for replacing dimmable incandescent alternative in 3" recessed cans

## SPECIFICATIONS

• Wattage	9W	• Life Time	35000hrs
• Input Power	120V	• Minimum Start Temp.	20°
• Efficacy	70-80LM/W	• Maximum Operating Temp.	+40°
• Frequency	50/60 Hz	• Dimensions	3.54" x 2.56"

## ORDERING GUIDE

Model	Shape	Lumen	CCT
LB13154	Square	700LM	4000K
LB13151	Round	700LM	4000K

