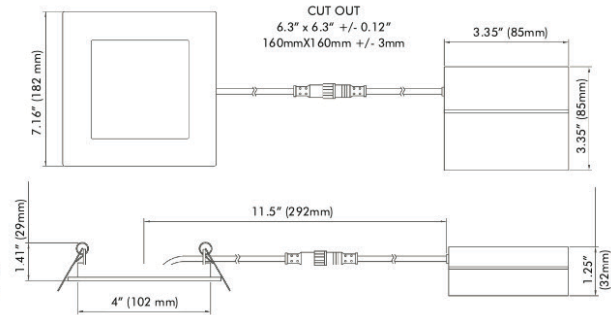


PREPARED BY:
PROJECT:
TYPE:



6" DOWNLIGHT SLIM PANEL SQUARE

SLIM DOWNLIGHT SERIES



SPECIFICATIONS

• Wattage	12W	• Frequency	50/60Hz
• Recessed Downlight Size	6"	• Dimming	Traic
• Input Power	120V	• Beam Angle	110°
• Efficiency	>70LM/W	• Lifetime	50,000hrs

ORDERING GUIDE

Model	Lumen	CCT
LB11347	850LM	3000K

120V APPROVED DIMMERS

Lutron	TGCL-153PH
	LGCL-153PH
	MACL-153M
	DVCL-153P
	CTCL-153P
Levitron	6672
	6674
	IPL06
Pass & Seymour	HCL453P
Copper	SAL06P

Consult technical service or factory for additional dimmers

