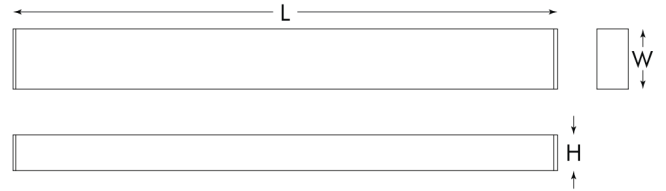
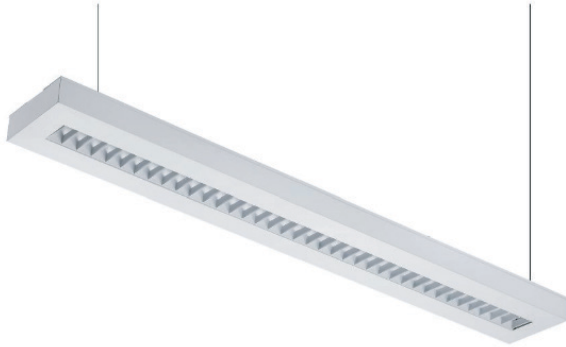


PREPARED BY:
PROJECT:
TYPE:



LINEAR PENDANT GRILLE LIGHT

LINEAR SERIES



FEATURES

- The suspension lights features a direct, milky white lens with 100° beam spread
- Available in white, black and anodizing options
- The IP40 rating offers extra protection for school applications
- The special optical design achieves high efficacy, and even more energy can be saved thanks to control options including presence/absence detection and daylight dimming
- Fixture can be equipped with an occupancy sensor
- Devices are factory installed and require minimal labor to set up during fixture installation
- Drivers come standard with 0-10V dimming leads capable of variable dimming down to 10%
- Standard fixture is anodized on surface

SPECIFICATIONS

• Wattage	50W/100W	• THD	<20%
• Efficiency	110LM/W	• Beam Angle	100°
• CCT	4000K	• Lifetime	50,000hrs
• CRI	>80	• SMD LED Chips Brand	MASON
• PF	>0.90	• Dimension	4FT/8FT
• Driver Efficiency	>87%		

ORDERING GUIDE

Model	Wattage	Lumens	Dimensions
LB81250	50W	5500LM	47.5" x 6.69" x 1.77"
LB81251	100W	11050LM	95.6" x 6.69" x 1.77"

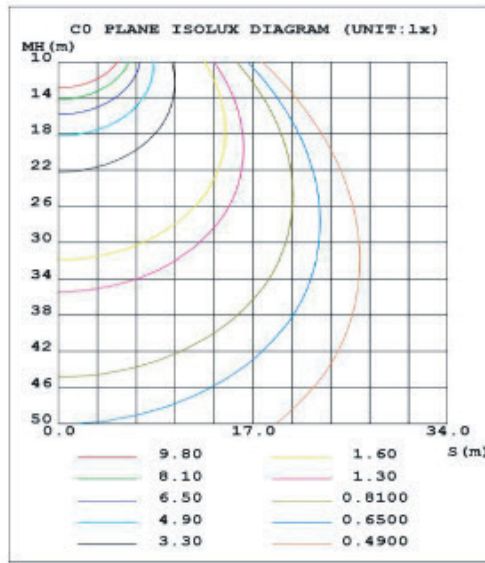
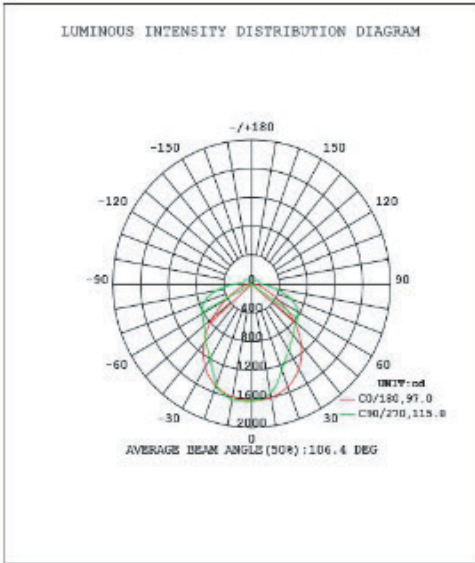
WARNINGS:

1. The installation and maintenance must be completed by licensed electricians or professionals
2. Cut off the power before installation and maintenance
3. Working temperature: -4°F-104° F, storage temperature: -22°F-140°F.



IP40

LIGHT DISTRIBUTION



INSTALLATION FOR HANGING

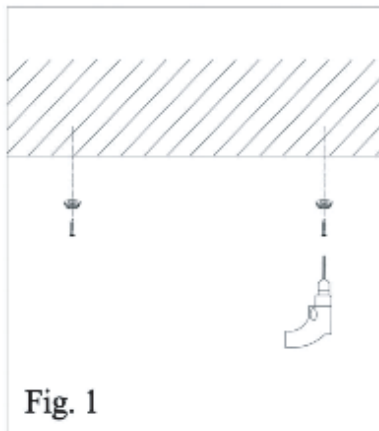


Fig. 1

1. Fix the cooper nut into the ceiling by screw

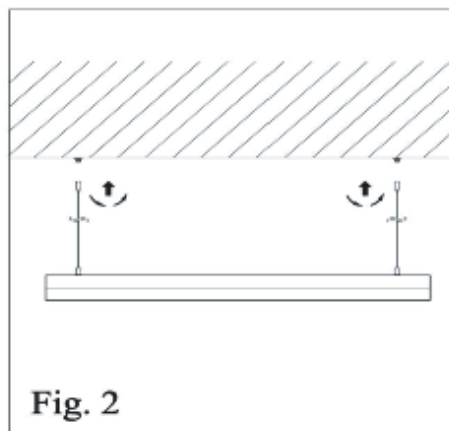


Fig. 2

2. Lock the stainless wire into the cooper nut

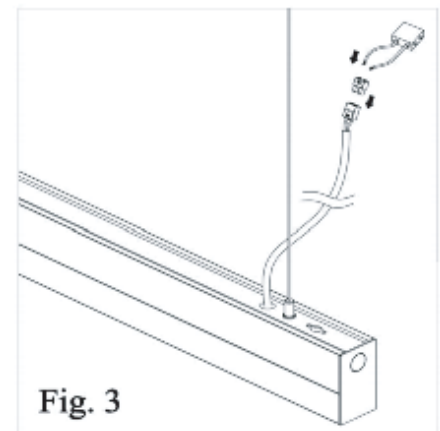


Fig. 3

3. Turn off the power, make the wire connection to the quick connector

