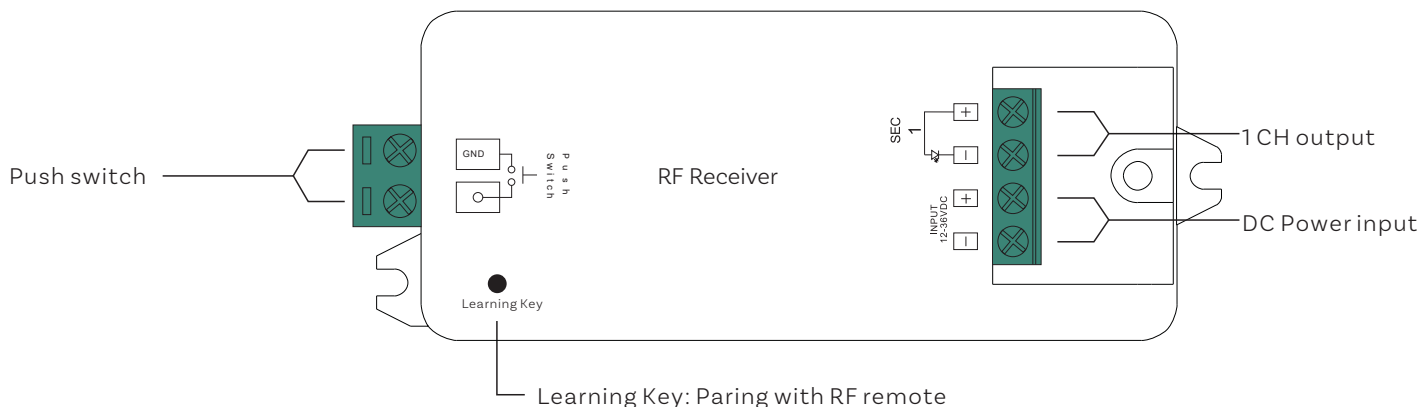


RF 1 Channel Receiver Installation Guide

INTRODUCTION



Safety & Warning

- DO NOT install with power applied to device
- DO NOT expose the device to moisture

Operation

- Do wiring according to connection diagram.

Pair RF Receiver with RF remote:

1. Connect and wire up the RF receiver correctly, power on
2. Turn on the remote, click the “Learning Key” button on receiver, immediately click a zone number to pair the receiver to the specified zone if the remote is a multi-zone controller (if it is a single zone remote, this step is unnecessary), then touch the color wheel or slider bar on the remote (if the remote does not have color wheel or slider bar, click or touch any keys), the connected led light on receiver flickers twice, which means well paired.

Note: one receiver can be paired with max 8 remote controls.

PUSH DIM:

When connected to Push Switch, click push switch for switch ON/OFF, hold push switch to dim up/down the brightness

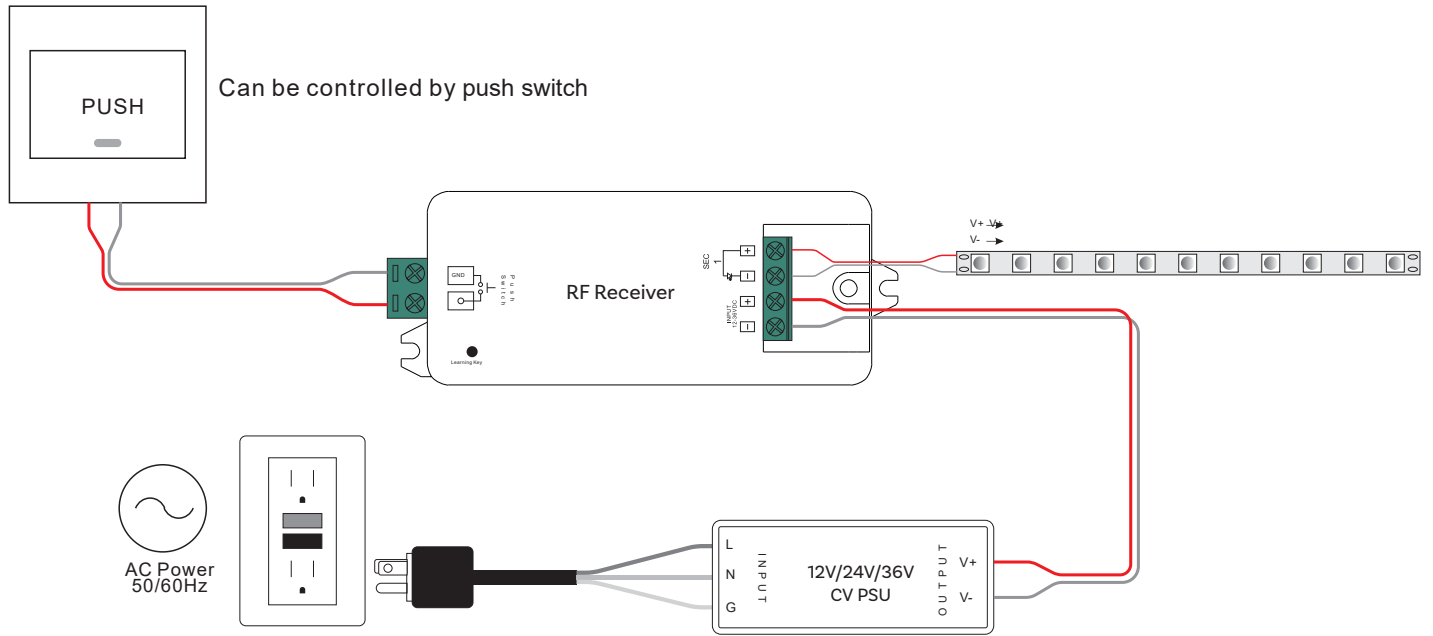
Delete the pairing:

1. Wire up the RF receiver correctly, power on.
2. Hold down the “ Learning Key” button on receiver for over 3 seconds until the connected led light on receiver flickers twice, which means well deleted.

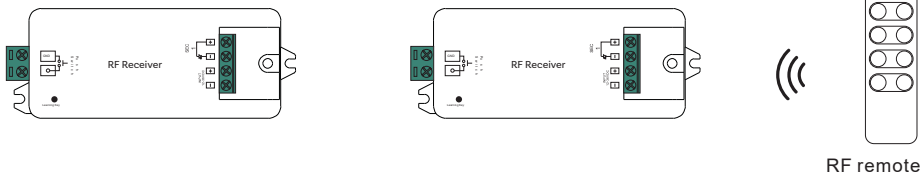
RF 1 Channel Receiver Installation Guide

WIRING DIAGRAM

If you use multiple receivers, you have two choices:



Option 1: have all the receivers in the same zone, like zone



Option 2: have each receivers in a different zone, like zone 1, 2, 3, or 4

