

PREPARED BY:

PROJECT:

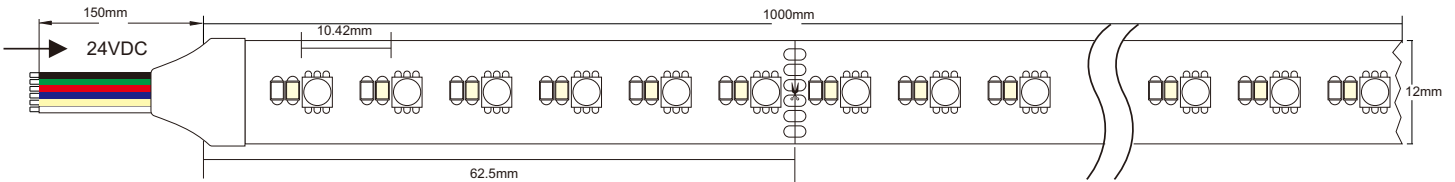
TYPE:



# RGBWW SERIES

## STRIP LIGHTS

The Strip Light Series brings forward a contemporary and versatile sector of lighting. Optimal varieties of wattage and color temperatures are at the ready, in order to make any application possible. Every Strip Roll is made with the highest attention to detail and quality. Each and every chip is carefully tested to fulfill the Light Blue USA promise to deliver the most elite illumination for your environment.



• Wattage	8W/FT	• Dimming	Triac
• Input Power	24V	• Length per Roll	16.4ft.
• CRI	90	• Ambient Temperature	-20 °C to 40 °C
• Environment	IP20	• Width	0.47"
• Cutting Interval	2.46"	• Adhesive	3M
• Maximum Run	20ft.	• Warranty	5 years
• Certification	UL		

### ORDERING GUIDE

Model	Length (ft)	IP Rating	Wattage	Color Temperature	Lumens/ft
LB53201	16.4 ft	IP20	140W	RGB+2300K-6500K	363lm

#### \*CONTACT FOR STOCK CONFIGURATIONS

- Runs can not exceed 20 feet per home run
- Maximum driver distance of 20 feet before voltage drop (with 18 gage wire)

**\* COMPATIBLE WITH ELECTRONIC DRIVER ONLY \***



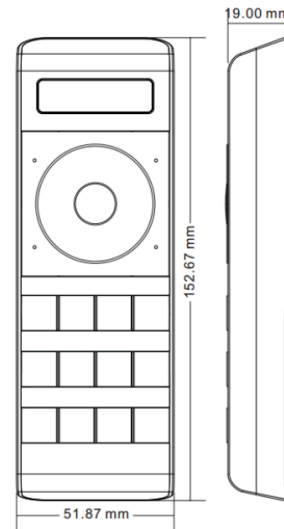
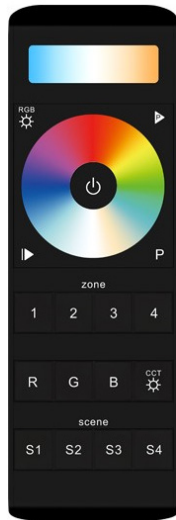
PREPARED BY:

PROJECT:

TYPE:



# HAND HELD RF RGBWW CONTROLLER CONTROLLER SERIES



## FEATURES

- Programmable RGB+CCT RF remote controller with 434MHz/869.5MHz/916.5MHz frequency available
- Sleek streamline design with high end PC material, comfortable to touch
- User-friendly interface, easy and simple operation
- Enables 5 channel control of RGB and dual color (warm white and cold white) as well as programmable function
- Ultra-sensitive tempered glass touch color wheel, accurate and fast RGB color tone adjustment
- R, G, B and CCT channels can be controlled separately
- Programmable function by choosing colors (maximum 5 colors) and touch the "P" key
- Pattern changing speed adjustable
- 4 running modes including jump, flash, fade and strobe are available for the programmed colors
- Control 4 zones separately or synchronously, each zone can be set endless receivers, each receiver maximally be controlled by 8 different remotes
- Set 4 scenes
- Synchronization function of pattern changing ensures consistent change forever
- Enable to dim brightness of each R, G, B, W channel, in order to mix millions colors
- Receivers can work with WiFi-RF converter after installing software on IOS and Android system

## SPECIFICATIONS

- |                         |                     |                     |                                                |
|-------------------------|---------------------|---------------------|------------------------------------------------|
| • Output                | RF signal           | • Waterproof        | IP20                                           |
| • Power Supply          | 4.5V(3xAAA battery) | • Relative humidity | 8% to 80%                                      |
| • Power Frequency       | 869.5/916.5/434MHz  | • Dimensions        | 6.02" x 2.05" x 0.75"<br>(153mm x 52mm x 19mm) |
| • Operating Temperature | 0-40°C              |                     |                                                |

**\*Not compatible with magnetic drivers.**

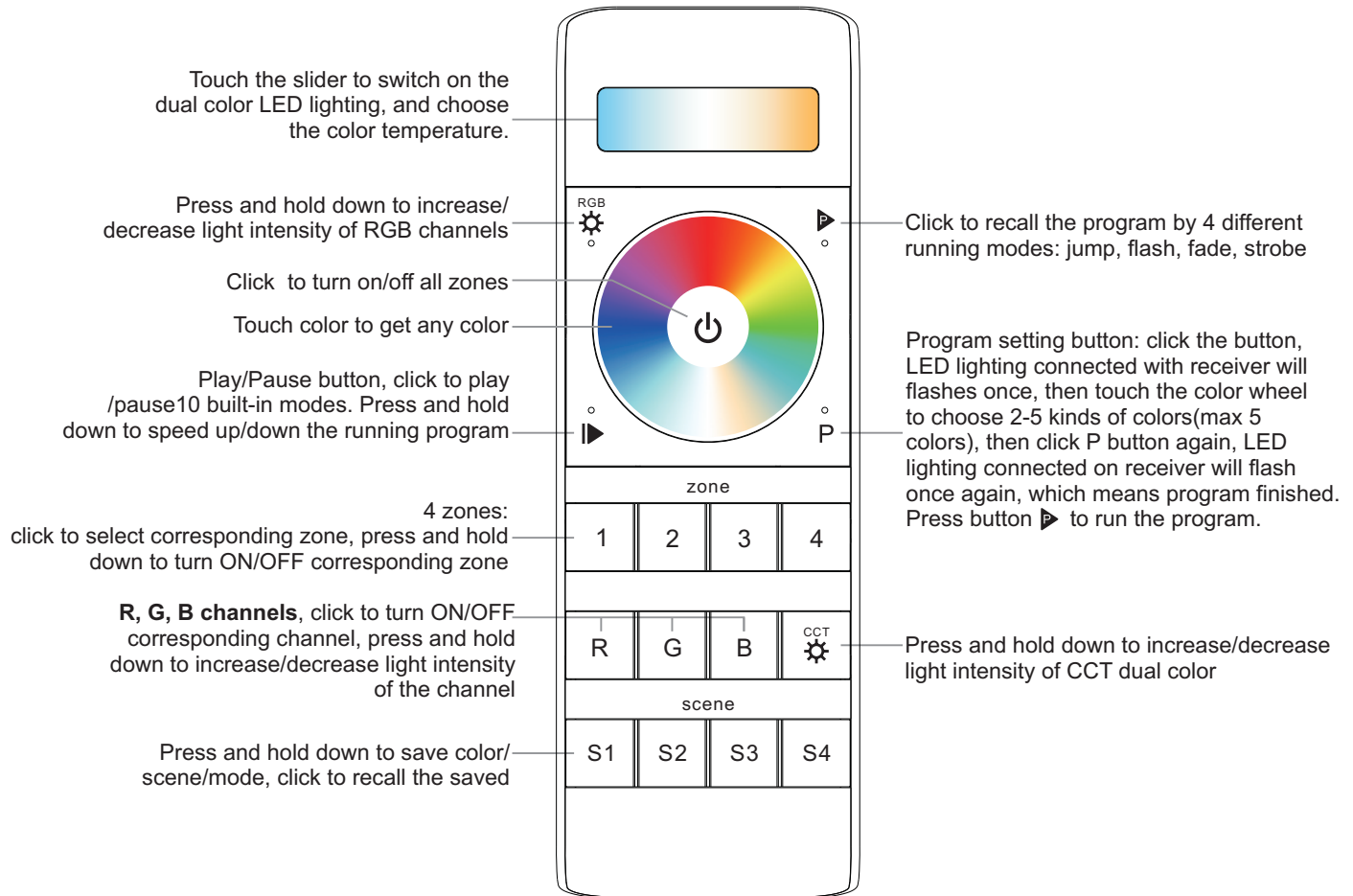
## ORDERING GUIDE

Model	Description
LB2858-Z4-5C	RGB+DUAL COLOR RF WIRELESS LED DIMMER

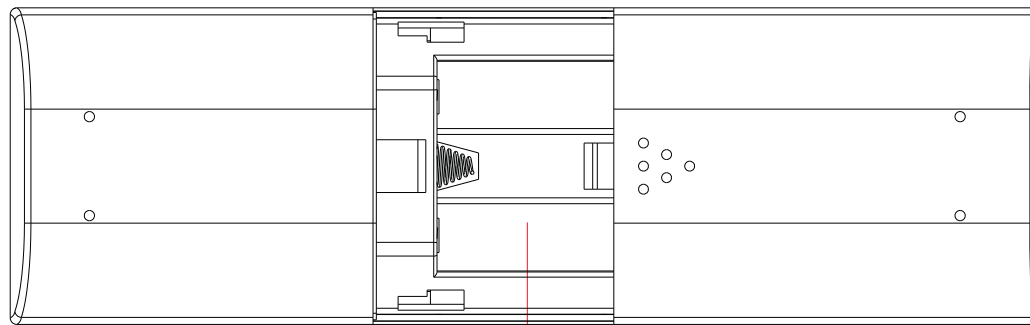
PREPARED BY:  
 PROJECT:  
 TYPE:



# HAND HELD RF RGBWW CONTROLLER CONTROLLER SERIES



Front side



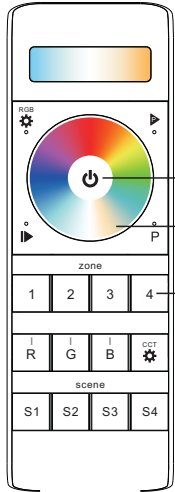
4.5V(3xAAA battery)

Back side

### Safety & Warnings

- This device contains AAA batteries that shall be stored and disposed properly.
- DO NOT expose the device to moisture.

#### Pair with RF receiver(Method 1)



**Step 1:** Do wiring the RF receiver according to wiring diagram (please refer to the instruction of RF receiver that you would like to pair with).



**Step 3:** Power off and power on the receiver

**Step 2:** Click ON/OFF button to activate the remote

**Step 5:** Touch the color wheel, LED lights connected with the RF receiver flicker once means the receiver is paired with zone 4 successfully.

**Step 4:** Choose and click a zone number (e.g. zone 4)

#### Pair with RF receiver(Method 2)



**Step 1:** Do wiring the RF receiver according to wiring diagram (please refer to the instruction of RF receiver that you would like to pair with).

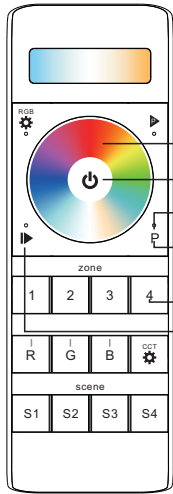


**Step 3:** Power off and power on the receiver

**Step 2:** Click ON/OFF button to activate the remote

**Step 4:** Choose and click a zone number (e.g. zone 4) twice, then press and hold it continuously and quickly within 10 seconds, LED lights connected with the RF receiver flicker once means the receiver is paired with zone 4 successfully.

### Program the running mode



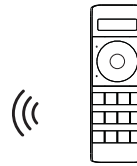
- Step 4:** Touch the color wheel to select 2-5 colors(max 5 colors)
- Step 1:** Click **ON/OFF** button to activate the remote
- Step 3:** Click button **P**, LED lights connected with receiver will flash once
- Step 5:** Click button **P** again to confirm the selected color, LED lights connected with receiver will flash once again
- Step 2:** Choose and click one or multiple paired zone numbers(e.g. zone 4)
- Step 6:** Press button **▶** to run the program

### If you use multiple receivers, you have two choices:

Option 1: have all the receivers in the same zone, like zone 1



Zone 1



RF remote

Option 2: have each receiver in a different zone, like zone 1, 2, 3 or 4



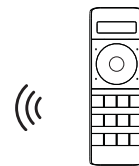
Zone 1



Zone 2



Zone 3



RF remote

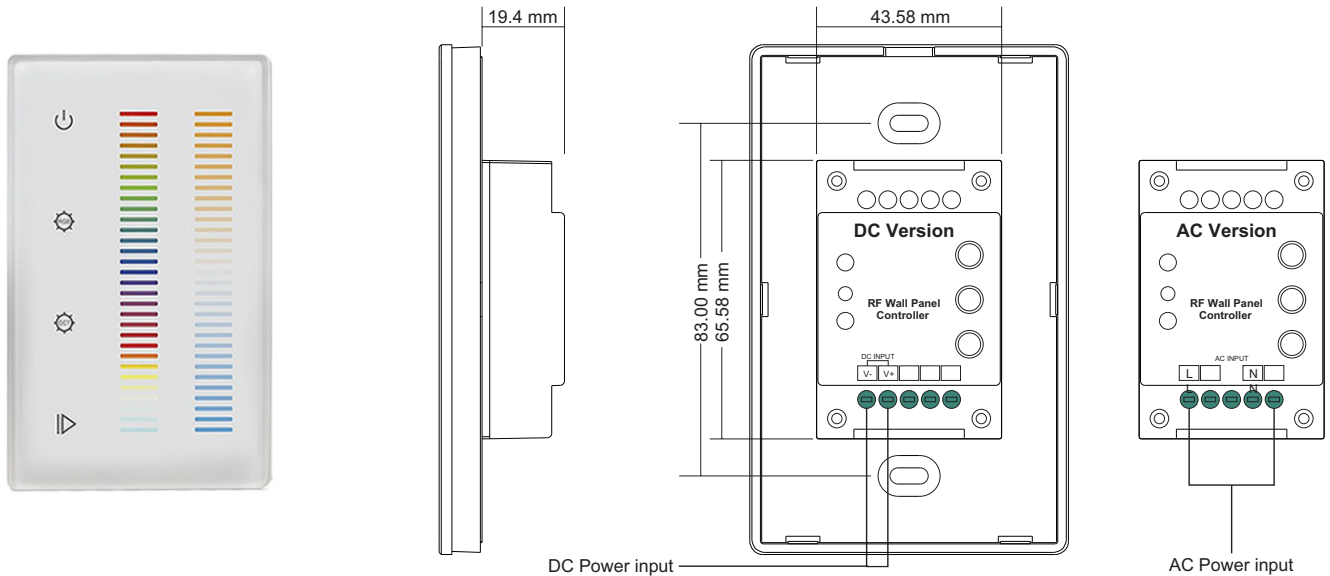
### How to stop running mode of single color LED light caused by RGBW sender interference:

1. When pairing single color LED light to a single color remote, it might be interfered and paired by nearby RGBW senders, which might control the single color light into running mode. The running mode can not be stopped by the paired single color remote or by delete pairing.
2. Then we need this remote, and pair the remote to the receiver via above **“Pair with RF receiver(Method 2)”**, then touch the color wheel to stop the running mode.
3. Then delete pairing and pair the receiver to the single color remote again, it can be controlled by the remote again.

PREPARED BY:  
PROJECT:  
TYPE:



# Wall Mounted RF RGBWW CONTROLLER CONTROLLER SERIES



## FEATURES

- Ultra slim ultra sensitive high strength glass touch panel with dual touch sliders and back lighting
- 5 channel full touch LED controller for RGB+CCT, standard DMX signal output
- Dual touch sliders, one for RGB color tone adjustment and the other for CCT adjustment
- Control RGB color and CCT respectively without having to switch
- Each controller has 5 DMX channels output to control 1 zone of RGB+CCT LED lighting
- Compatible with universal DMX decoders
- Save up to 3 colors/scenes for each zone
- RGB channels' brightness and dual white channels' brightness can be adjustable respectively by keys
- RGB channels and dual color channels can be controlled separately without any confusion
- 10 built-in color changing effects are available with pause function
- LED indicators for back lighting enable users to find the controller easily even in the dark

## SPECIFICATIONS

- Operating Temperature 0-40°C
- Waterproof IP20
- Relative humidity 8% to 80%
- Dimensions 2.95" x 4.72" x 1.15"  
(75mm x 120mm x 29.1mm)

	DC Version	AC Version
Output Signal	RF signal	RF signal
Power Supply	12-24VDC	100-240VAC
Power consumption	< 20 mA	< 15 mA

## ORDERING GUIDE

Model	Description
LB2834-5C-US	RF RGB+DUAL COLOR CONTROLLER

**\*Not compatible with magnetic drivers.**



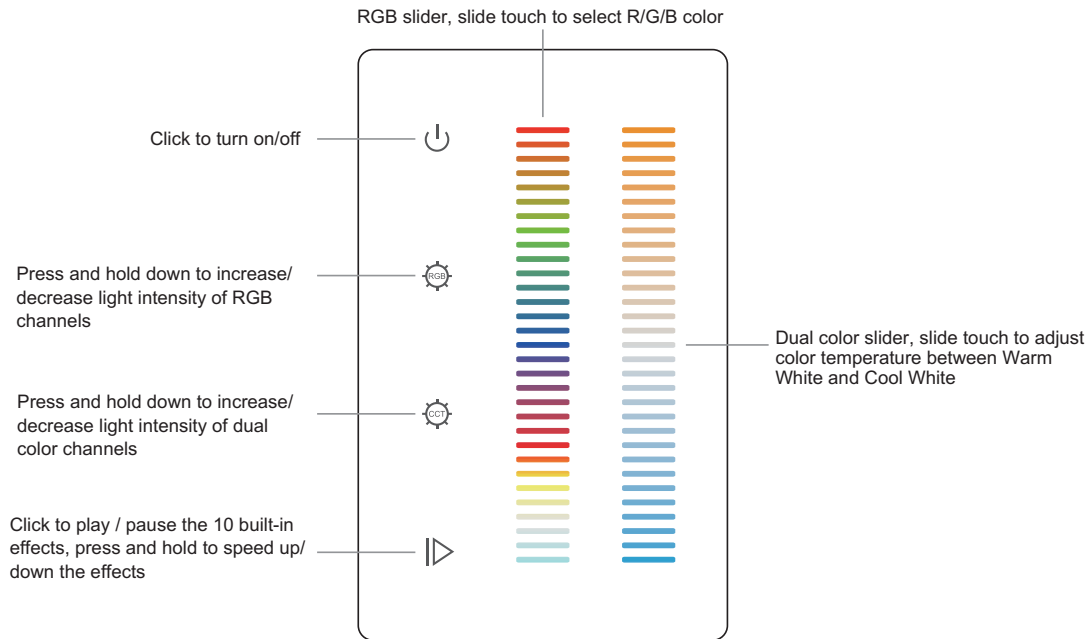
PREPARED BY:

PROJECT:

TYPE:



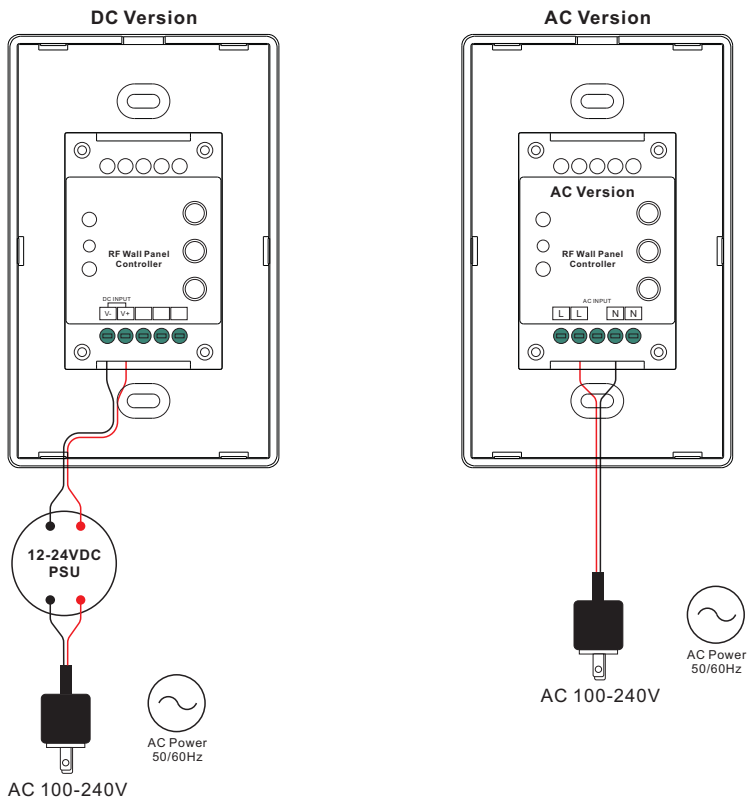
# Wall Mounted RF RGBWW CONTROLLER CONTROLLER SERIES



### Safety & Warnings

- DO NOT install with power applied to device.
- DO NOT expose the device to moisture.

### Wiring diagram

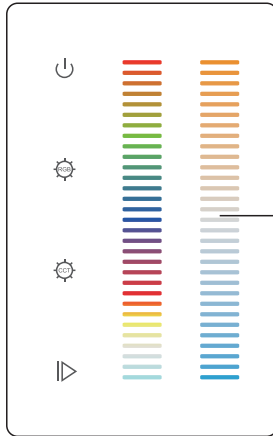




### Operation

1. Do wiring the wall panel & RF receiver according to wiring diagram (please refer to the instruction of RF receiver that you would like to pair with)
2. Power on, then touch the button to turn on the controll , indicator of the controller turned blue

### Pair with RF receiver

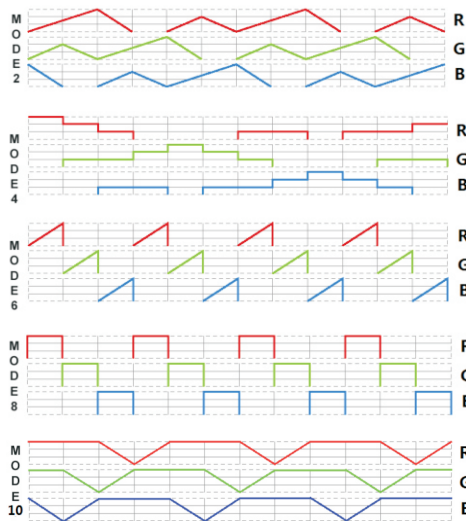
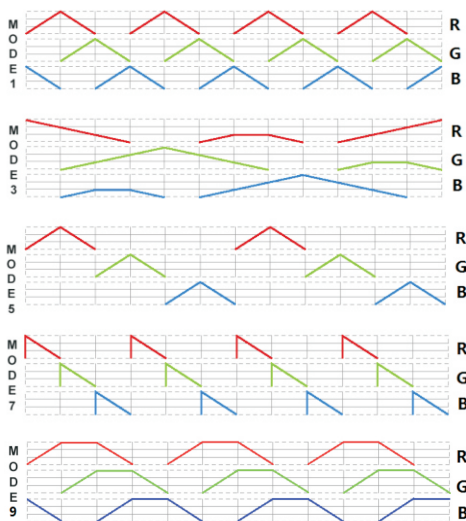


**Step 1:** Click the "Learning Key" button on RF receiver or re-power on the receiver three times continuously to set it into pairing status

**Step 2:** Touch the slider, LED lights connected with the RF receiver flicker once means the receiver is paired with the remote successfully.

### Built-in 10 color changing modes are as follows:

- Mode 1: Any two colors of RGB mix fade-in & fade-out
- Mode 2: RGB three colors mix fade-in & fade-out
- Mode 3: RGB three colors mix fade-out & fade-in
- Mode 4: RGB flash
- Mode 5: RGB three colors fade-in & fade-out successively
- Mode 6: RGB three colors fade-in successively
- Mode 7: RGB three colors fade-out successively
- Mode 8: RGB three colors jump changing successively
- Mode 9: R&B two colors mix fade (R in B out), then G fade-in, then R&B mix fade (R out B in), then G fade-out
- Mode 10: B fade-out, then G&B mix fade (G out B in), then R&G mix fade (R out G in), then R fade-in





PREPARED BY:

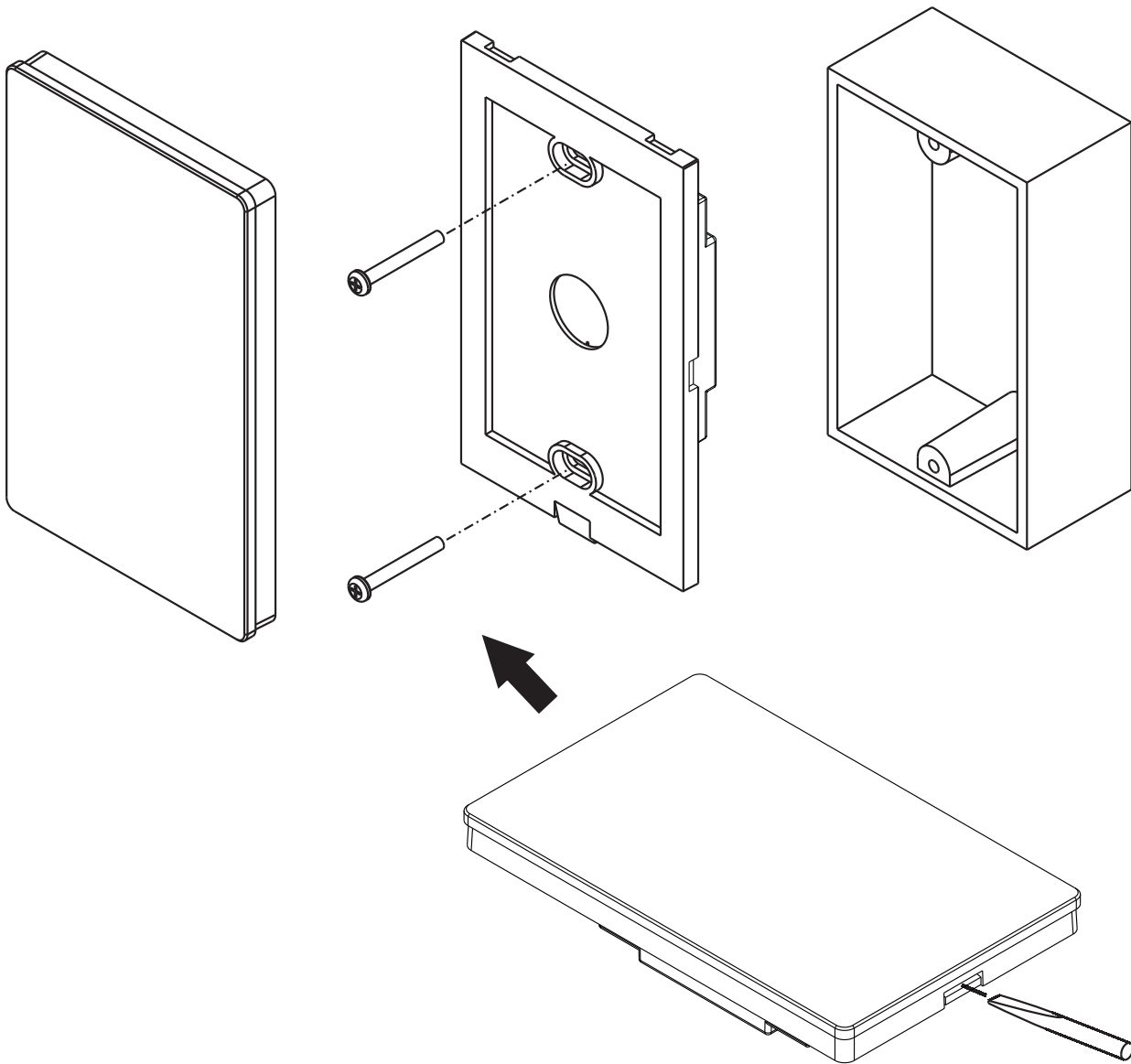
PROJECT:

TYPE:



Wall Mounted  
RF RGBWW CONTROLLER  
CONTROLLER SERIES

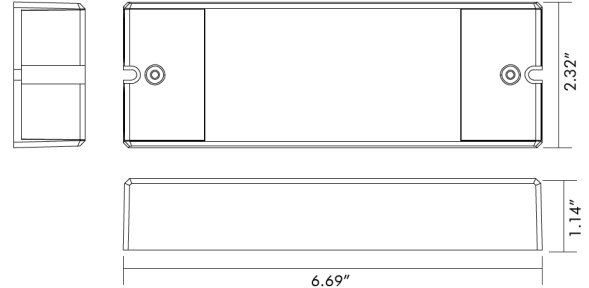
**Installation**



PREPARED BY:  
PROJECT:  
TYPE:



# 5 CHANNEL UNIVERSAL RF CONTROLLER CONTROLLER SERIES



## FEATURES

- Compatible with LB2834-5C-US and LB2858Z4-5C
- 5 channel full functional constant voltage RF LED controller available with 12-36VDC and max. 5A per channel output
- Enables to drive RGB and dual color (warm white and cold white) LED lighting with a single receiver while pairing with a RGB & CCT remote
- Full compatibility with a variety of monochrome, dual color, RGB/RGBW and RGB+CCT RF remotes
- Multiple zones can be controlled separately or synchronously with unlimited receivers in each zone
- Each receiver can be controlled by 8 different remotes max.
- Can be WiFi controlled by app installed on IOS or Android mobile devices while working with WiFi-RF converter
- Brightness of each R, G, B and W are fully adjustable.

## SPECIFICATIONS

• Input Voltage	12-36 VDC	• Waterproof Grade	IP20
• Output Current	5x5A	• Connector Current Rating	Max. 20A
• Output Power	5x (60-180)W	• Radio Frequency	869.5/434/916.5MHz
• Remarks	Constant Voltage	• Dimensions	6.69" x 2.32" x 1.14"

**\*Not compatible with magnetic drivers.**

## ORDERING GUIDE

Model	Description
LB1009EAPD-5C	UNIVERSAL RF CONTROLLER 5 CHANNEL

### Pair/delete the pairing with RF remote

1. Do wiring according to connection diagram.
2. Pair RF Receiver with RF remote: please refer to the instruction of the remote that you would like to pair with.
3. Delete the pairing:
  - (1) Wire up the RF receiver correctly, power on:
  - (2) Press and hold down the " Learning Key" button on receiver for over 3 seconds until the connected light flashes, which means well deleted.

### Receiver/Repeater setting jumper:

One receiver can connect multiple repeaters to realize perfect sync the sync distance can be over 100m no volt drop.

PREPARED BY:

PROJECT:

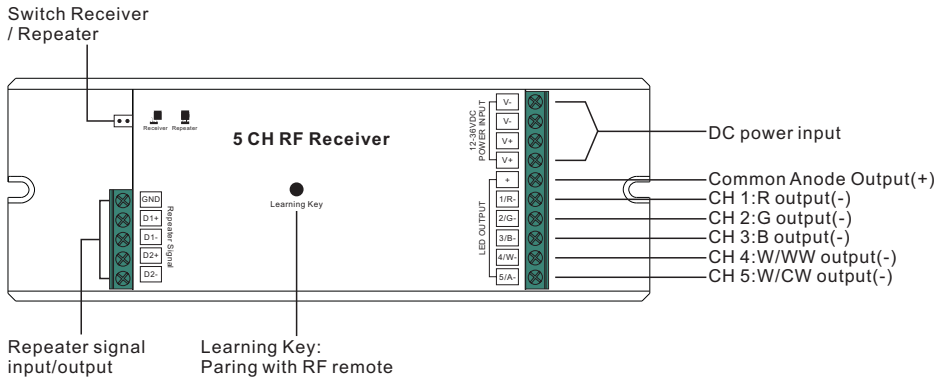
TYPE:



# 5 CHANNEL UNIVERSAL RF CONTROLLER CONTROLLER SERIES

**Important:** Read All Instructions Prior to Installation

## Function introduction

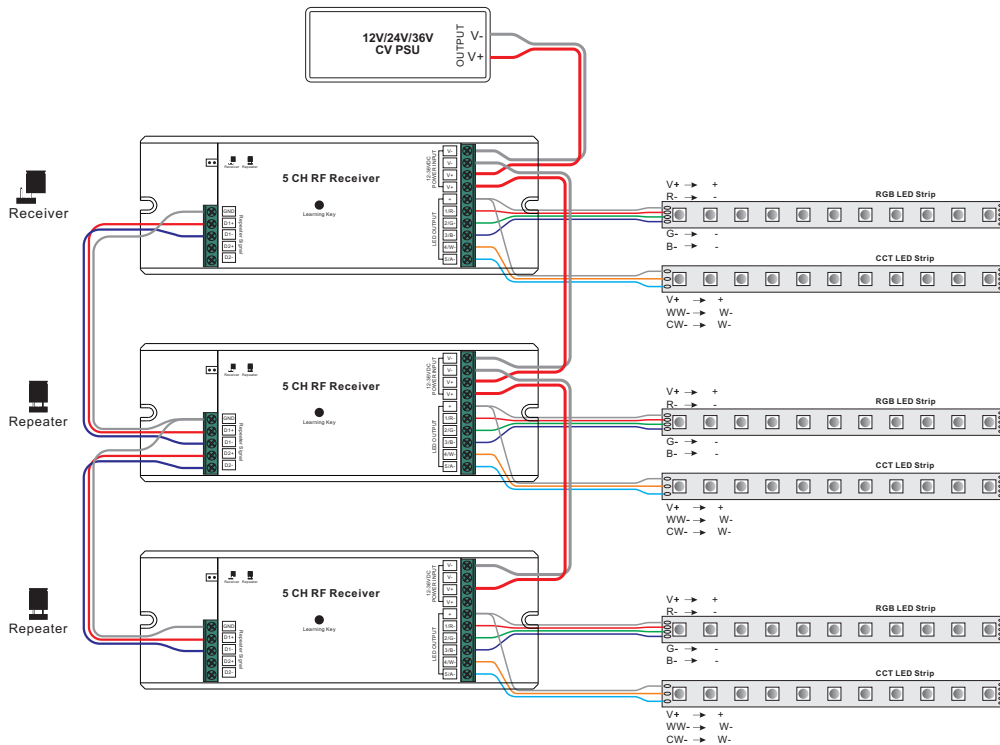


## Safety & Warnings

- DO NOT install with power applied to device.
- DO NOT expose the device to moisture.

## Wiring Diagram

1) When total load of each receiver is not over 20A



PREPARED BY:

PROJECT:

TYPE:



# 5 CHANNEL UNIVERSAL RF CONTROLLER CONTROLLER SERIES

2) When total load of each receiver is over 20A

