

PREPARED BY:

PROJECT:

TYPE:



STREAMLINE FLOOD LIGHT

OUTDOOR LIGHTING



FEATURES

- cUL & DLC listed with LM79 & LM80
- Patented design, ultra-slim, elegant & distinctive appearance
- Premium quality SMD LEDs with high lumen output
- Quality integrated driver, high driver efficiency $\geq 87\%$, PF >0.9
- Excellent heat dissipation by using high purity aluminum alloy
- Finish: Bronze & Black
- High waterproof rate IP65 for outdoor usage
- High uniformity on lamp direction, lamp can be adjustable to suitable position by angle indicate line
- Bracket fixing installation
- Toughened glass + Reflector optical system
- Die-cast Aluminum Housing

SPECIFICATIONS

• Wattage	10W/20W/30W/50W	• CCT	5000K
• Input Voltage	AC120	• IP Grade	IP65
• Luminous Efficiency	120LM/W	• Lifetime	50,000hrss
• CRI	Ra >80	• Operating Temperature	-20°C to 40°C
• Beam Angle	110°	• Lifespan	-30°C to 50°Cs

ORDERING GUIDE

Model	Wattage	Lumens
LB75300	10W	1100LM
LB75302	20W	2200LM
LB75303	30W	3600LM
LB75304	50W	6000LM



PREPARED BY:

PROJECT:

TYPE:

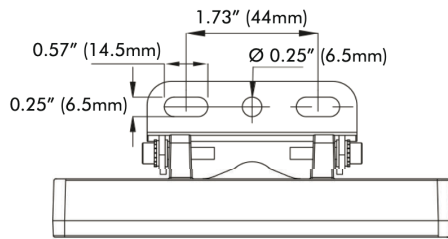
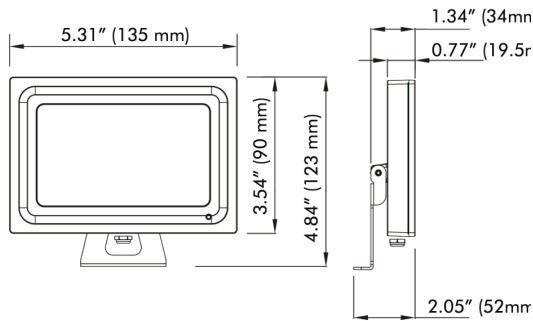


STREAMLINE FLOOD LIGHT

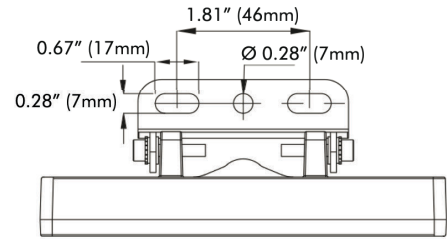
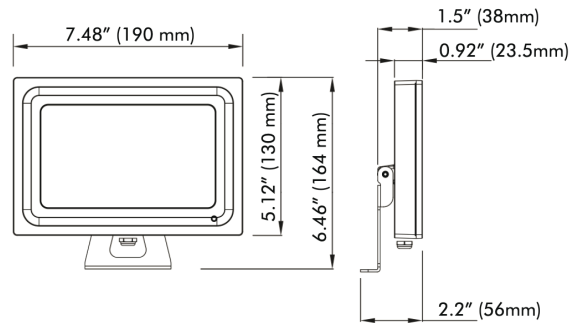
OUTDOOR LIGHTING

DIMENSIONS

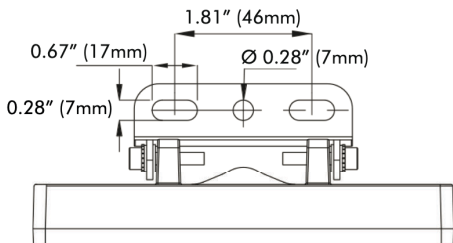
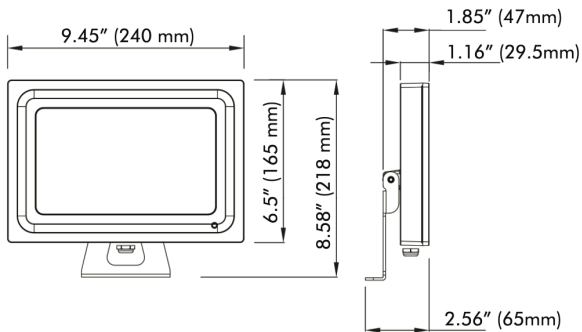
10W



20W



30W



40W

