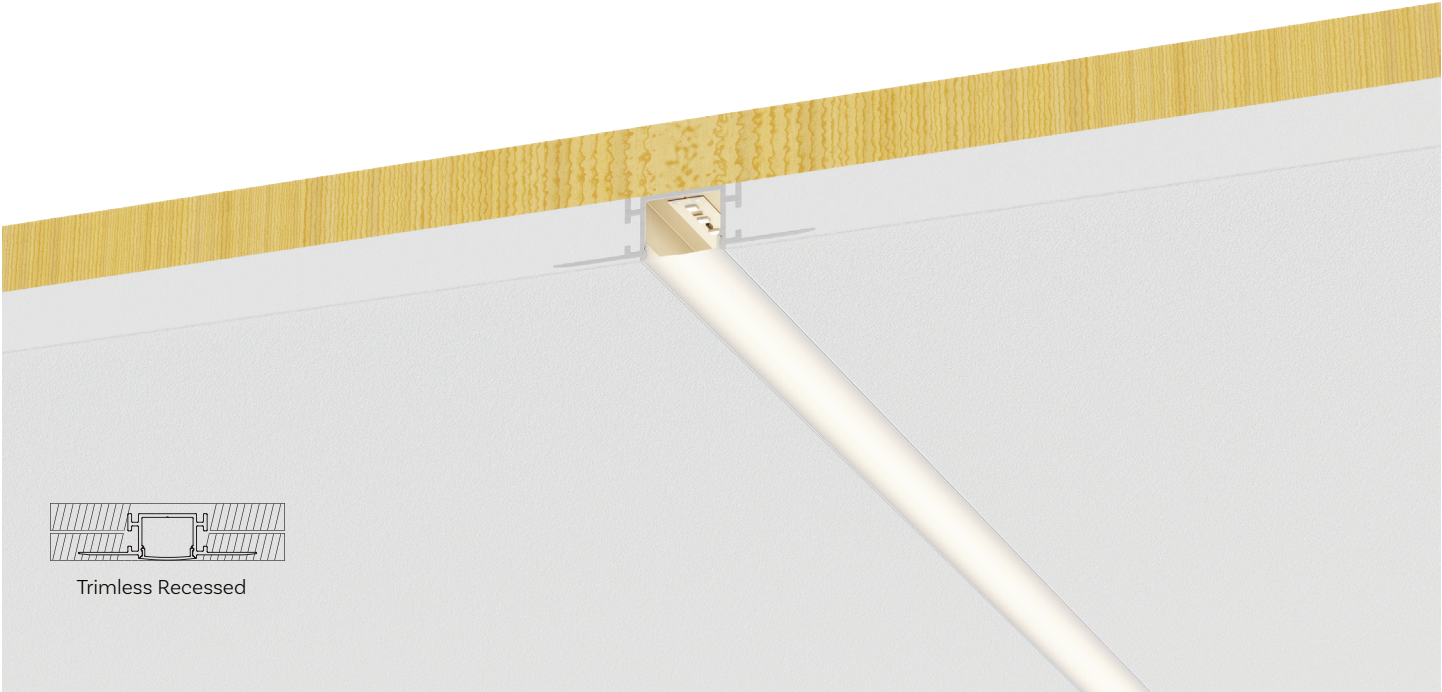


ALP 113
ALUMINUM PROFILE

PROJECT:
PREPARED BY:
DATE:
TYPE:



SPECIFICATIONS

• Profile Material	Aluminum	• Width	2.84"
• Lens Material	Acrylic	• Application	Recessed
• Length	9.8FT, Field Cuttable	• Environment	IP20
• Height	0.75"		

AVAILABLE ACCESSORIES



ORDERING GUIDE

Model	Dimensions	Length	Finish
LB54113	H 0.75" x W 2.84"	9.8 FT.	Anodized Aluminum

ALP 113

ALUMINUM PROFILE

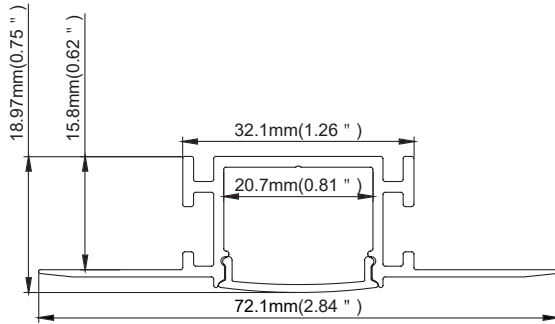
PROJECT:

PREPARED BY:

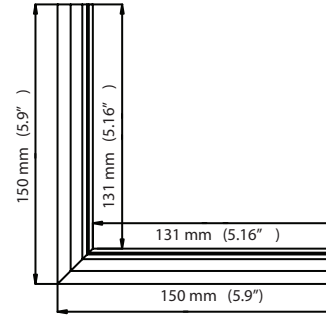
DATE:

TYPE:

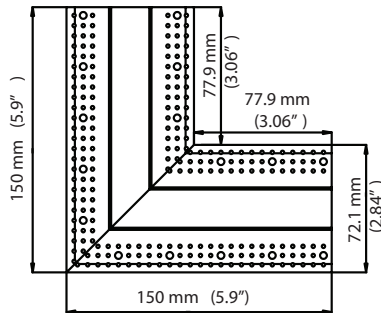
DIMENSION



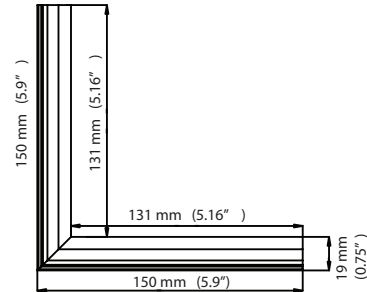
ALP113



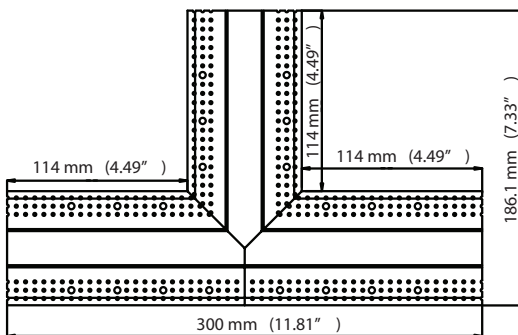
FLAT L | LB54601



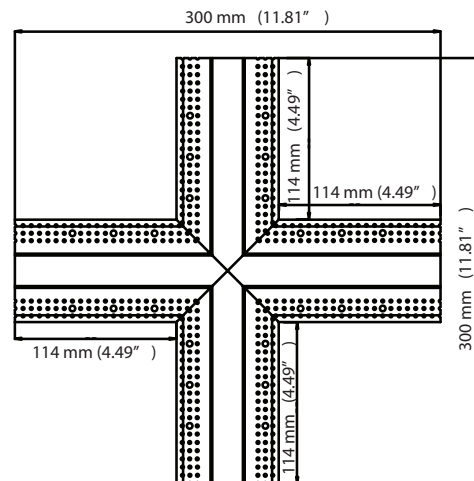
INSIDE L | LB54602



OUTSIDE L | LB54603



T SHAPE | LB54604



X SHAPE | LB54605