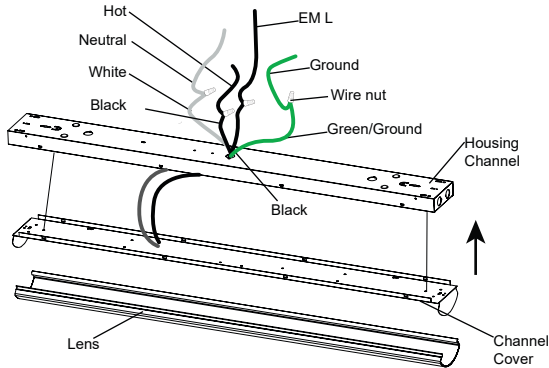
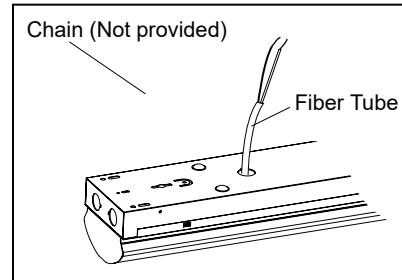


4FT Staircase Installation Guide

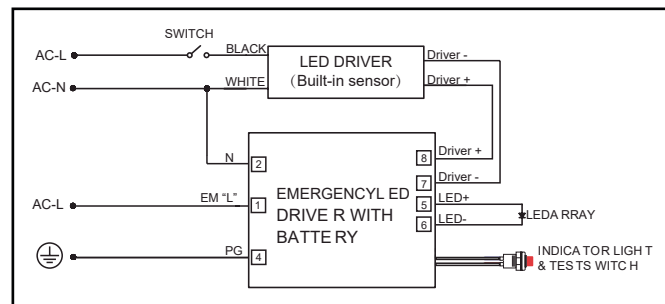
INSTALLATION STEPS



Pendant installation diagram:



Wiring Diagram Sensor



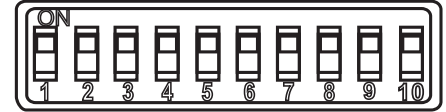
• TURN OFF THE POWER FROM MAIN CIRCUIT BEFORE INSTALLING FIXTURE

1. To help prevent the possibility of electrical shock, the use for rubber sole shoes is recommended.
2. Exercise care, use work gloves when handling the fixture to avoid cuts or abrasions.
3. Press channel and remove channel cover. Inside you will find quick connector that link with driver and module, remove the connector before installation.
4. Install fixture: Locate ceiling joints and screw in fixtures using wood screws of appropriate length (screws not included). Use toggle bolts for drywall mounting.
5. Electrical Connections:
 - a) Connect green/or bare copper wire to the green ground wire of fixture. (Ground wire must be properly attached).
 - b) Connect the main circuit hot wire to the black EM "L" wire, cover them with a wire nut/or twist together and cover well with Electrical tape.
 - c) For none-dimming fixture. Connect the white wire from the fixture to the white (N) wire from supply power source. Connect the black fixture wire to the black (L) wire from supply power source. Pink and purple wires are not to be used and must be individually capped to prevent shorting.
 - d) Connect the white wire from the fixture to the white (N) wire from dimming source per dimmer wiring instructions. Connect the black wire from the fixture to the black (L) wire from dimmer supply power source per dimmer wiring instructions.
 - e) Do not mix wires. Pull on each wire lead to make sure connections are secure.
6. Slide the CCT switch to select from 3000K, 3500K, 4000K. (Factory setting is 3000K)
7. Plug the quick connector back between driver and modules. Place and snap fit the Channel Cover back on Housing Channel. Then place and snap fit lens on channel cover.
8. Turn the power on

4FT Staircase Installation Guide

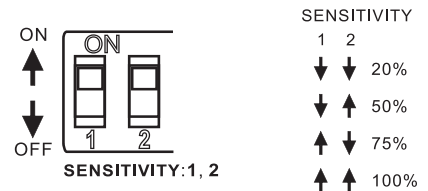
PARAMETER SETTING BY DIP SWITCH

1 & 2 Set sensitivity 3 & 4 Set hold time 5 & 6 Set the lux
 7 & 8 Stand by light level 9 & 10 Set stand by time



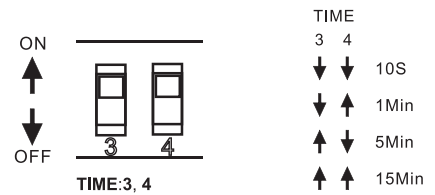
DETECTION RANGE SETTING (SENSITIVITY)

Detection range can be reduced by selecting the combination on the DIP switches to fit precisely each application:



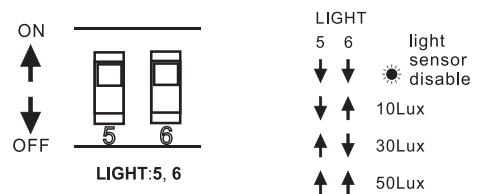
HOLD TIME SETTING

The lamp can be set to stay ON for any period of time between approx. 10 sec and a maximum of 15min. Any movement detected before this time elapse with re-start the timer. It is recommended to select the shortest time for adjusting the detection zone and for performing the walk test. Switch location and hold time of the corresponding table is as follow:



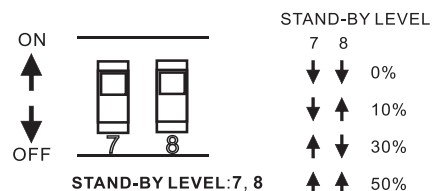
LIGHT CONTROL SETTING

The chosen lamp response threshold can be infinitely from approx. 10-50 lux, switch location and light-control of the corresponding table is as follow:



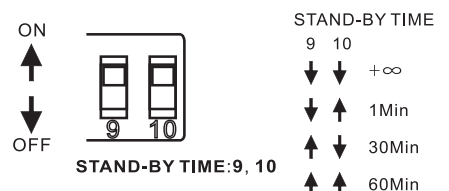
DETECTION RANGE SETTING

The corresponding file of switch location and stand-by level as follow:



DETECTION RANGE SETTING

The corresponding file of switch location and stand-by time as follow:



* Parameter setting by remote control in manual of LB85170-MSR