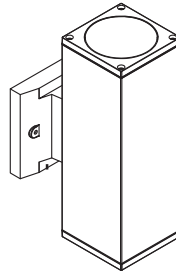


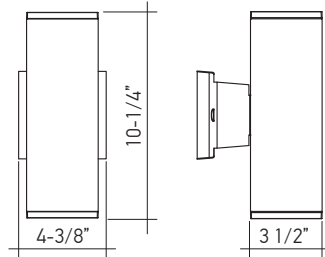
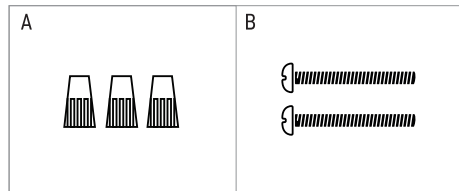
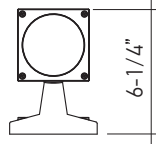
LED OUTDOOR WALL LIGHT

LED Outdoor Wall Light with 2 Light Up and Down massive modern design shape provides a high-powered illumination. It's a perfect choice for any exteriors. This energy efficient fixture made of Die-casting Aluminum body with protecting Glass lens, creates a clear and bright lighting. Suitable for wet locations, with moisture, weather, corrosion, and outdoor contaminant proof. The direction of lights keeps them out of neighbor's windows, at the same time perfectly illuminating the around area. Perfect for patio, porch, corridor, backyard, garage, garden, walkway outdoor lighting. Easy and fast installation, no bulb replacement required.



PACKAGE CONTENTS:

Part	Description	Q-ty
-	LED Outdoor Wall Light Cylinder	1
A	Wire nuts	3
B	Outlet box screws	2
-	Box	1
-	Installation Instructions	1



⚠ WARNING

RISK OF PERSONAL INJURY – PLEASE READ THESE INSTRUCTIONS CAREFULLY. FOLLOW ALL INSTALLATION INSTRUCTIONS AND OBSERVE ALL WARNINGS.

Make sure the "supply" voltage corresponds to the "rated" product voltage 120V 60Hz

Retain these instructions. Note: If you are an installer, please give these instructions to the property owner for future reference.

Risk of injury: Always wear the necessary safety equipment to prevent injuries when opening, handling, installing and maintaining this product.

Risk of electrical shock: This product must be installed in accordance with the applicable installation code by a professional familiar with the construction and operation of the product. The professional should also be aware of, and understand the hazards involved with the installation of this product.

Risk of Fire: Always consult with a qualified electrician to ensure the correct branch circuit conductor is utilized. The minimum conductor rating requirement is 90°C (194°F) in order to be code compliant.

INSTALLATION GUIDE

IMPORTANT SAFETY INFORMATION:

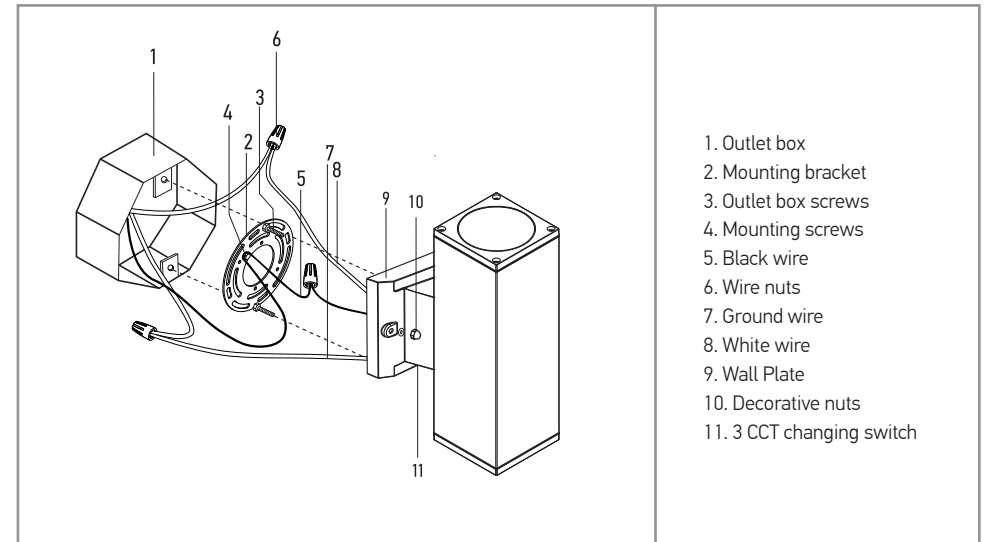
Please read all of the instructions below BEFORE installation.

- Make sure the "supply" voltage corresponds to the "rated" product voltage 120V 60Hz
- The product MUST be installed by a qualified electrician in accordance with The National Electrical Code and corresponding local codes.
- If the product is damaged, DO NOT ATTEMPT INSTALLATION AND DO NOT USE!
- Operating temperature: -25°C ~40°C (-13°F~104°F).

INSTALLATION STEPS

1. Install mounting bracket (2) to the outlet box (1) using outlet box screws (3);
2. Adjust the mounting bracket (2) in right angle, tighten the screws in the middle. Helpful tips: Before tightening the screws, try to fit the fixture to ensure the angle of mounting bracket is correct.
3. Strip 1/2 inch of insulation from wire ends. Twist stripped ends together with pliers black (5) to black (power) and white (8) to white (natural). Attach copper wire to ground wire (7). Helpful tips: If necessary, attach copper ground wire to outlet box ground.
4. Attach wire nuts (6). Tape wire nuts and wires together with electrical tape.
5. Attach the fixture to the wall by aligning the mounting screws that protrudes from the mounting bracket (2) to the hole in the wall plate (9). Screw the decorative nuts (10) onto the protruding mounting screws (4) until the fixture is held firmly to the wall. Its recommended to apply clear weather silicone sealer (not included) around the wall plate (9). Installation finished. Turn on the power at the circuit breaker or fuse box. Turn the light switch ON to activate the fixture.
6. Select the color temperature you need by the 3 CCT changing switch(11) on the wall plate(9).

Warning: Caulk the edge between metal pan and mounting surface if you intend to use it for outdoor application, or else.



1. Outlet box
2. Mounting bracket
3. Outlet box screws
4. Mounting screws
5. Black wire
6. Wire nuts
7. Ground wire
8. White wire
9. Wall Plate
10. Decorative nuts
11. 3 CCT changing switch