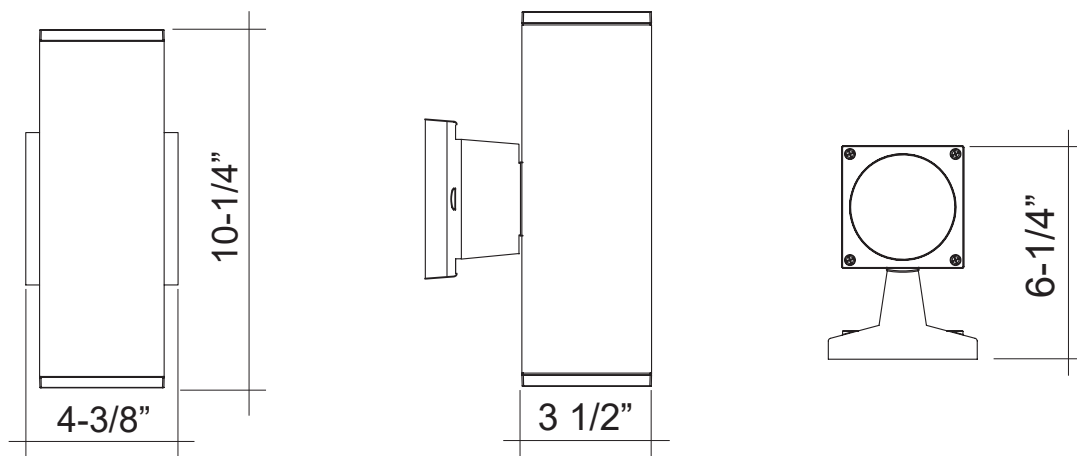
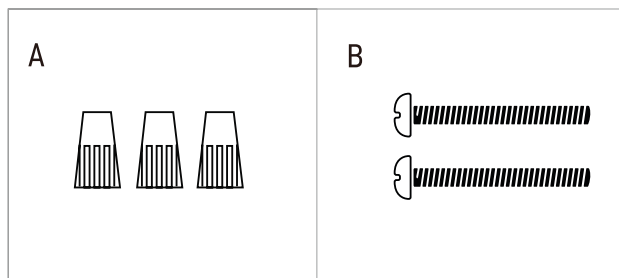


# Outdoor Rectangle Wall Sconce Installation Guide

## CONTENTS

Part	Description	Q-ty
-	LED Outdoor Wall Light Cylinder	1
A	Wire nuts	3
B	Outlet box screws	2
-	Box	1
-	Installation Instructions	1



## **⚠ WARNING**

**RISK OF PERSONAL INJURY – PLEASE READ THESE INSTRUCTIONS CAREFULLY. FOLLOW ALL INSTALLATION INSTRUCTIONS AND OBSERVE ALL WARNINGS.**

**Make sure the “supply” voltage corresponds to the “rated” product voltage 120V 60Hz**

Retain these instructions. Note: If you are an installer, please give these instructions to the property owner for future reference.

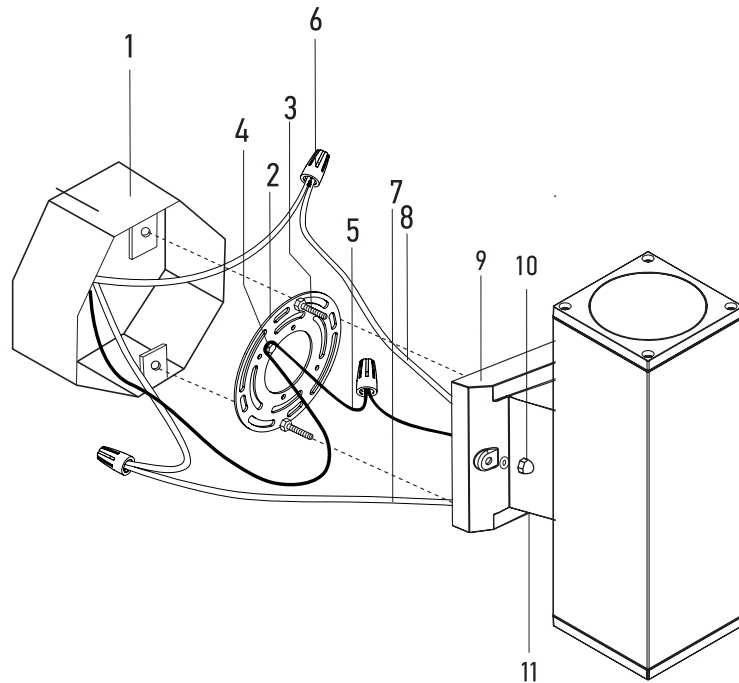
**Risk of injury:** Always wear the necessary safety equipment to prevent injuries when opening, handling, installing and maintaining this product.

**Risk of electrical shock:** This product must be installed in accordance with the applicable installation code by a professional familiar with the construction and operation of the product. The professional should also be aware of, and understand the hazards involved with the installation of this product.

**Risk of Fire:** Always consult with a qualified electrician to ensure the correct branch circuit conductor is utilized. The minimum conductor rating requirement is 90°C (194°F) in order to be code compliant.

# Outdoor Rectangle Wall Sconce Installation Guide

## INSTALLATION STEPS



- (1) Outlet box
- (2) Mounting bracket
- (3) Outlet box screws
- (4) Mounting screws
- (5) Black wires
- (6) Wire nuts
- (7) Ground wire
- (8) White wire
- (9) Wall plate
- (10) Decorative nuts
- (11) 3CCT changing switch

1. Install mounting bracket (2) to the outlet box (1) using outlet box screws (3)
2. Adjust the mounting bracket (2) in the right angle, tighten the screws in the middle  
(TIPS: Before tightening the screws, try to fit the fixture to ensure the angle of mounting bracket is correct)
3. Strip 1/2 inch of insulation from wired ends. Twist stripped ends together with pliers black (5) to black (power) and white (8) to white (neutral). Attach copper wire to ground wire (7). If necessary, attach copper ground wire to outlet box ground.
4. Attach nuts (6) Tape wires nut and wires together with electrical tape
5. Attach the fixture to the wall by aligning the mounting screws that protrudes from the mounting bracket(2) to the hole in the wall plate(9). Screw the decorative nuts (10) onto the protruding mounting screws (4) until the fixture is held firmly to the wall. It's recommended to apply clear weather silicone sealer (not include) around the wall plate (9). Installation finished, Turn on the power at the circuit breaker or fuse box. Turn the light switch ON to activate the fixture
6. Select the color temperature you need by 3CCT changing switch (11) on the wall plate (9)

### IMPORTANT SAFETY INFORMATION

- Make sure the supply voltage corresponds to the rated product voltage 120V 60Hz
- The product MUST be installed by a qualified electrician in accordance with The National Electrical Code and corresponding local codes
- If product is damaged, DO NOT ATTEMPT INSTALLATION AND DO NOT USE!
- Operating temperature: -25°C to 40°C (-13°F to 104°F)

**WARNING:** *Caulk the edge between metal pan and mounting surface if you intend to use it for outdoor application or else*