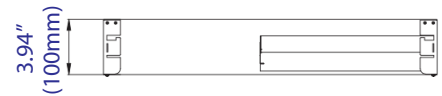
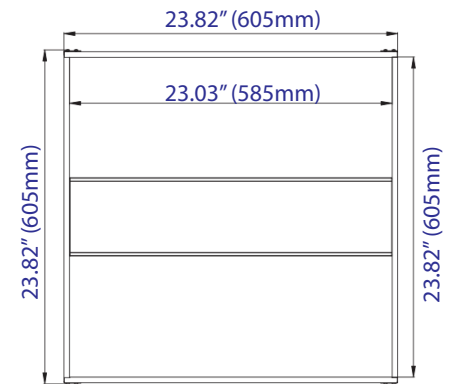


# TROFFER

## 2'x2' LED TROFFER

### SPECIFICATIONS:

Wattage	40W
Delivered Light Output	4560 lm
Input Voltage	100-277 VAC
Efficiency	104 LPW
Diver Output	DC36V 1A
CRI	Ra>80
DLC CCT Options	3000K, 3500K, 4000K, 5000K
Lamp Life	50,000 hours
Dimensions	L 23.8" x W 23.8" x H 3.9"
Recommended Dimmers	DIVA-DVTV(LUTRON) NOVA T NTSTV-DV(LUTRON)



MODEL #	CCT
LB76399	3000K
LB76400	3500K
LB76401	4000K

### PRODUCT FEATURES:

- Steel, commercial quality paint coating.
- Bigger size MCPCB for better thermal management, by separating dissipation to reduce the weight of the lamp heat sinking.
- IP Rating: IP20
- Central lens door enables convenience of PCBA's replacing.
- High optical grade lens providing good efficiency and impact resistance.
- With double diffusion material, surface brightness even.
- Optional Function: Motion Sensor Available



186 Van Dyke Street - Brooklyn, NY 11231  
www.lightblueusa.com 718-475-2515

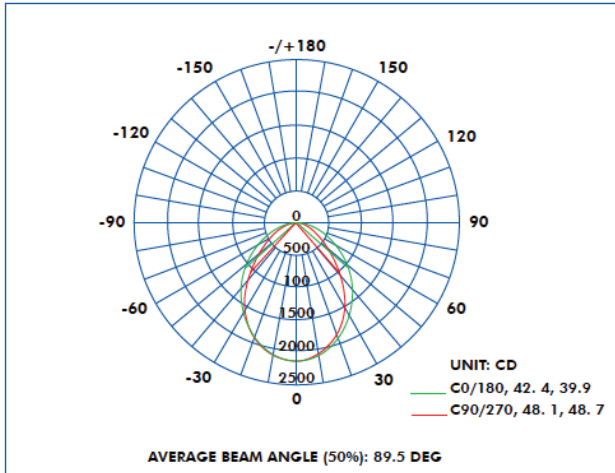


## 2'x2' LED TROFFER

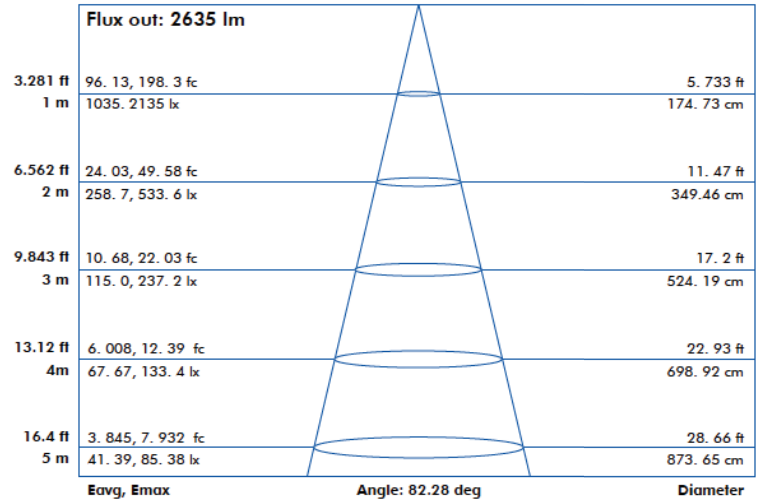
### PHOTOMETRY

Fixture photometry has been conducted accredited testing laboratory in accordance with IESNA LM-79-08. IESNA LM-79-08 specifies the entire luminaire as the source resulting in a fixture efficiency of 100%. Result may vary per actual order.

### LUMINOUS INTENSITY DISTRIBUTION DIAGRAM



### AVERAGE ILLUMINANCE CURVE



Note: The Curves indicate the illuminated area and average illumination when the luminaire is at different distance.

### ZONAL FLUX DIAGRAM

Y	C0	C45	C90	C135	C180	C225	C270	C315
10	2049	2060	2074	2082	2088	2080	2067	2056
20	1842	1881	1905	1915	1912	1906	1885	1867
30	1495	1591	1654	1654	1601	1630	1627	1580
40	1063	1221	1350	1306	1175	1277	1325	1218
50	663.0	841.1	1024	922.9	749.1	892.9	1004	843.1
60	387.1	512.9	700.7	578.3	445.9	552.0	684.5	518.
70	208.6	253.9	401.3	300.9	251.7	282.4	386.3	254.9
80	63.07	77.62	143.5	104.4	97.58	95.02	131.2	74.11
90	0	0	0.1430	0.7476	1.267	0	0.0546	0

DEG      LUMINOUS INTENSITY: CD

### ZONAL LUMEN SUMMARY

T	φ ZONE	φ TOTAL	% LUM, LAMP
0 - 10	200.5	200.5	4.4
10 - 20	560.7	761.2	16.7
20 - 30	808.2	1569	34.4
30 - 40	892.7	2462	54
40 - 50	813.0	3275	71.8
50 - 60	628.1	3903	85.6
60 - 70	410.9	4314	84.6
70 - 80	202.6	4517	99
80 - 90	41.70	4558	100

UNIT: lm

### COEFFICIENTS OF UTILIZATION

ppf	80%			70%			50%			30%			10%			0
	50%	30%	10%	50%	30%	10%	50%	30%	10%	50%	30%	10%	50%	30%	10%	0
pfc	20%			20%			20%			20%			20%			0
RCR	RCR: Room Cavity Ratio (CU)															
0.0	119	119	119	116	119	116	111	111	111	106	106	106	102	106	102	100
1.0	106	102	99	104	102	97	100	97	94	96	93	91	92	93	88	86
2.0	94	88	82	93	88	81	89	85	80	85	81	78	82	81	76	74
3.0	83	76	70	83	76	69	80	75	68	76	71	67	74	71	66	64
4.0	75	67	60	75	67	60	73	66	59	69	63	58	67	63	58	56
5.0	67	59	53	68	59	53	66	59	52	62	56	51	60	56	51	49
6.0	61	53	47	62	53	47	60	54	46	57	51	46	55	51	45	43
7.0	56	48	42	57	48	42	56	49	41	52	46	41	51	46	41	39
8.0	51	43	38	53	43	37	51	45	37	48	42	37	47	42	37	35
9.0	47	39	34	49	39	34	48	41	34	44	38	34	43	38	34	32
10.0	44	36	31	45	36	31	44	38	31	41	35	31	40	35	31	29