

LINEAR PENDANT LIGHT FIXTURE

Linear Pendant Grille Light

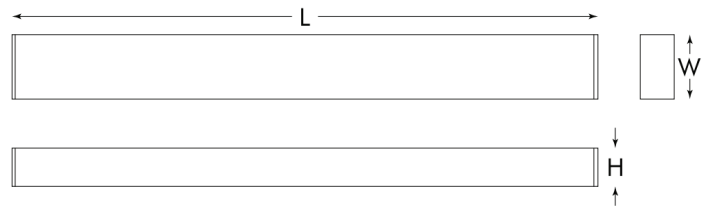
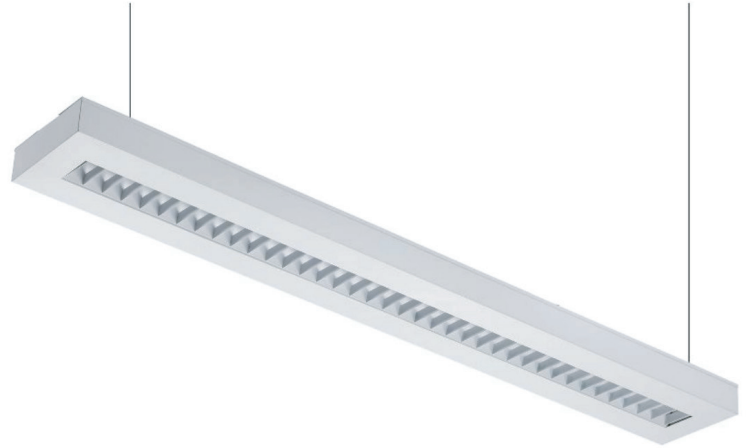
SPECIFICATIONS:

| | |
|-----------------------|---------------|
| Wattage | 50W/ 100W |
| Luminous Efficacy | 110lm/w |
| CCT | 4000K |
| Color Rendering Index | >80 |
| PF | >0.90 |
| Driver Efficiency | >87% |
| THD | <20% |
| Beam Angle | 100° |
| Lifetime | 50,000 hours |
| SMD LED Chips Brand | MASON |
| Dimensions | 4 Ft. / 8 Ft. |

| MODEL # | Wattage | Lumens | Dimensions |
|---------|---------|--------|-----------------------|
| LB81250 | 50W | 5500 | 47.5" x 6.69" x 1.77" |
| LB81251 | 100W | 11050 | 95.6" x 6.69" x 1.77" |

PRODUCT FEATURES:

- The Suspension lights features a direct, milky white lens with 100° beam spread.
- Available in white, black and anodizing options.
- The IP40 rating offers extra protection for school applications.
- The special optical design achieves high efficacy, and even more energy can be saved thanks to control options including presence /absence detection and daylight dimming.
- Fixture can be equipped with an occupancy sensor.
- Devices are factory installed and require minimal labor to set up during fixture installation.
- Drivers come standard with 0-1 0V dimming leads capable of variable dimming down to 10%
- Standard fixture is anodized on surface



WARNINGS:

1. The installation and maintenance must be completed by licensed electricians or professionals
2. Cut off the power before installation and maintenance
3. Working temperature: -4°F-104° F, storage temperature: -22°F-140°F.



IP40

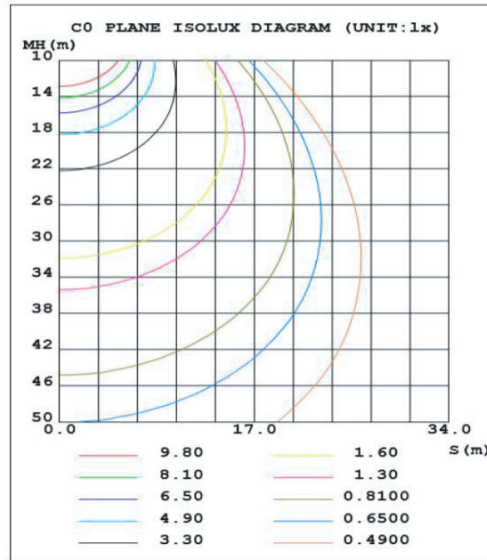
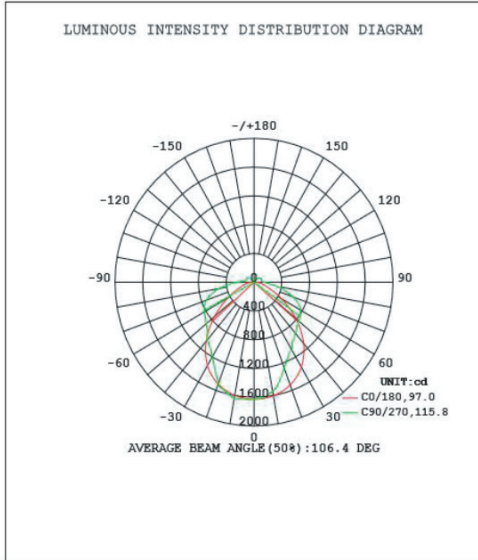
186 Van Dyke Street - Brooklyn, NY 11231
www.lightblueusa.com 718-475-2515



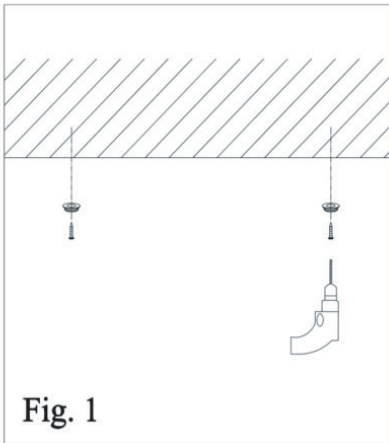
LINEAR PENDANT LIGHT FIXTURE

Linear Pendant Grille Light

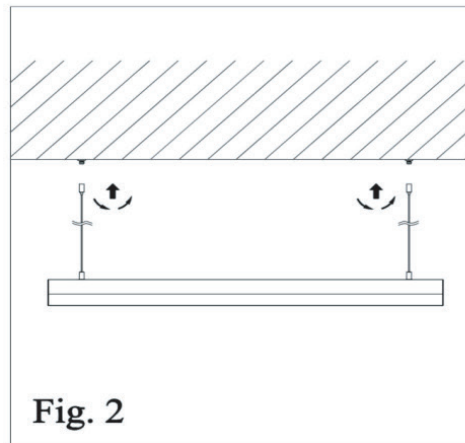
LIGHT DISTRIBUTION



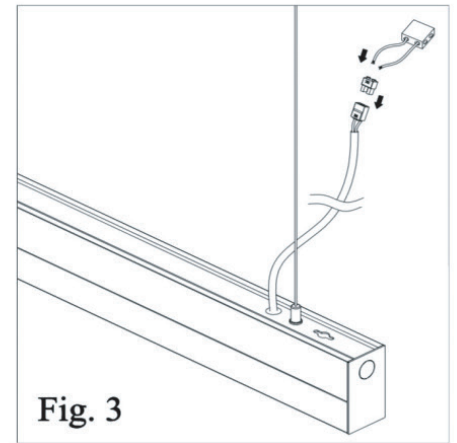
INSTALLATION FOR HANGING



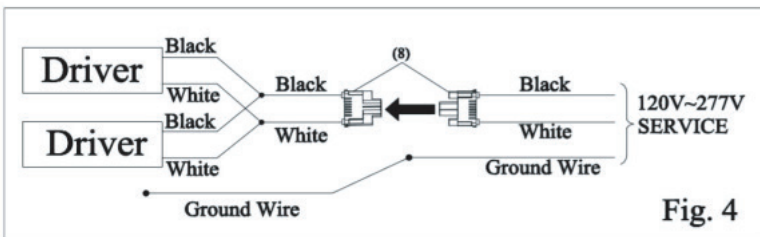
1. Fix the cooper nut into the ceiling by screw



2. Lock the stainless wire into the cooper nut



3. Turn off the power, make the wire connection to the quick connector



IP40

186 Van Dyke Street - Brooklyn, NY 11231
www.lightblueusa.com 718-475-2515

