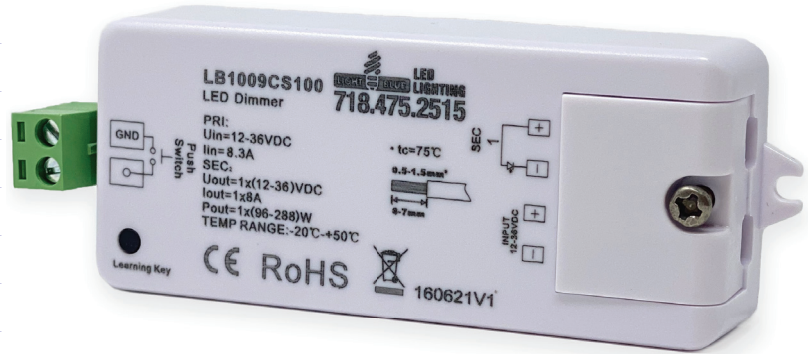


# RF RECEIVER

## UNIVERSAL SERIES RF RECEIVER (1 CHANNEL) MODEL #LB1009CS

### SPECIFICATIONS:

Input Voltage	12-36 VDC
Output Current	1x8A
Output Power	1 x (96-288)W
Remarks	Constant Voltage
Waterproof Grade	IP20
Radio Frequency	868mhz
Dimensions	3.35" x 1.46" x 0.79" (L85mm x W37mm x H20mm)



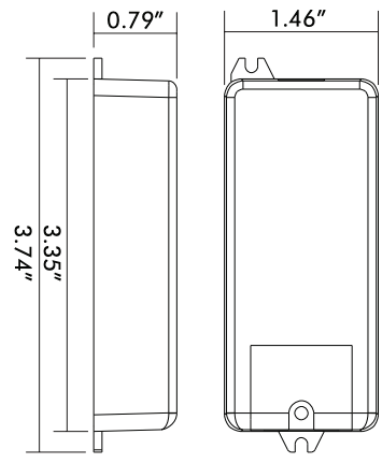
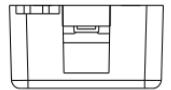
### Pair RF Receiver with RF remote:

1. Connect and wire up the RF receiver correctly, power on.
2. Turn on the remote, click the "Learning Key" button on receiver, immediately click zone number then touch color wheel on remote, the connected led light on receiver flickers twice, means well paired.
3. When connected to Push Switch, short press push switch for switch ON/OFF, long press push switch to dim up/down the brightness.

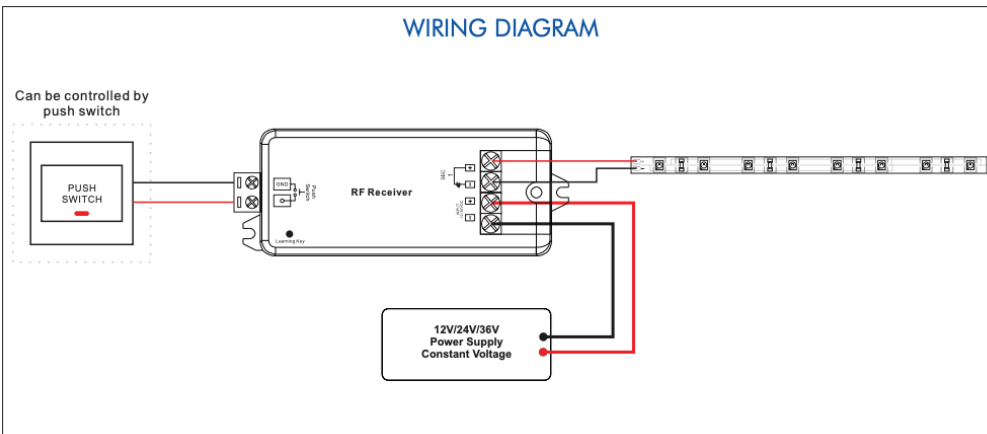
Note: one receiver can be paired with max 8 remote controls.

### Delete the pairing:

1. Wire up the RF receiver correctly, power on
2. Hold the " Learning Key" button on receiver over 3 seconds until the connected led light on receiver flickers twice, means well deleted.



### WIRING DIAGRAM



### FUNCTION INTRODUCTION

