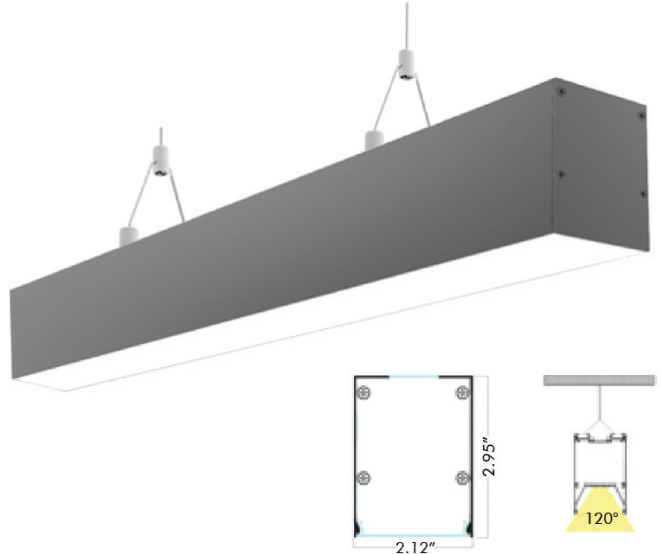


LINEAR PENDANT LIGHT FIXTURE

8 FT. LED LINEAR PENDANT LIGHT

SPECIFICATIONS:

Wattage	80 Watts/ 8Ft
Delivered Lumens	8800lm
Dimming Option	0-100 Dimmable LED driver
CCT	3000K, 4000K, 5000K
Voltage	120-277V/60Hz
Lighting Distribution	Down
CRI	85
Lifetime	50,000 hours
Warranty	5 years
Dimensions	92.4" x 1.96" x 2.95"



Available trim options:

White



Black



Black Finish

MODEL #	Wattage	Temp	LUMEN
LB85260-BK	80W	CCT	8800

White Finish

MODEL #	Wattage	Temp	LUMEN
LB85260-WT	80W	CCT	8800

PRODUCT FEATURES:

- Direct & indirect light
- Milky white lens with 100° beam spread
- Available in white, Black and anodizing finish options
- IP 40 offers extra protection for school applications
- Special optical design achieves high efficacy
- More energy saved thanks to control options, including presence/absence detection and daylight dimming
- Approved for dry/damp location



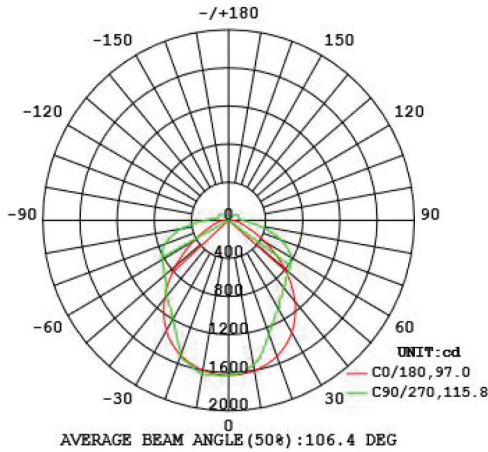
186 Van Dyke Street - Brooklyn, NY 11231
www.lightblueusa.com 718-475-2515



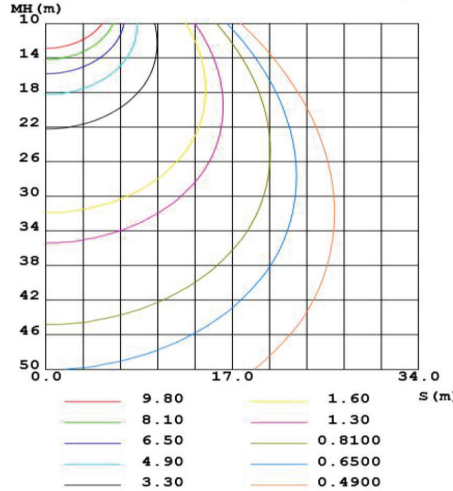
LINEAR PENDANT LIGHT FIXTURE

8 FT. LED LINEAR PENDANT LIGHT

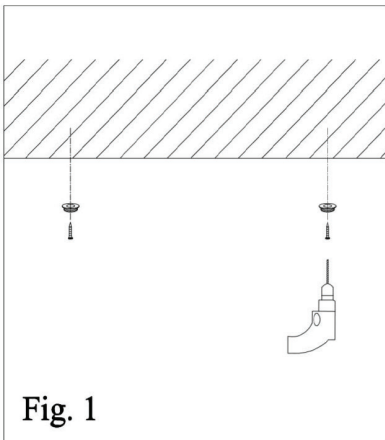
Luminous Intensity Distribution Diagram



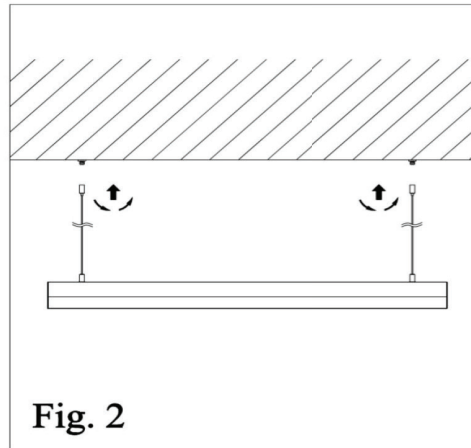
Co Plane Isolux Diagram Unit: 1X



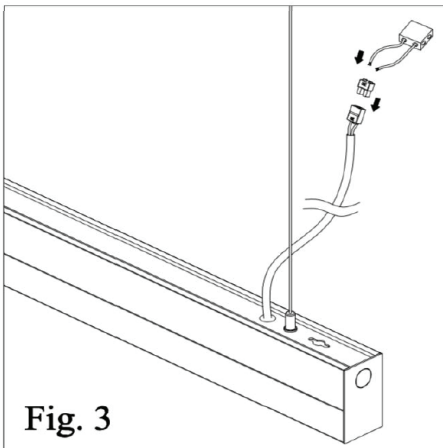
1-Fix the cooper nut into the ceiling by screw



2-lock the stainless wire into the cooper nut.



3-Turn off the power,make the wire connection to the quick connector



WARNINGS:

1. Installation and maintenance must be completed by electricians or professionals.
2. Please cut off the power before installation and maintenance.
3. The thermally insulating material is not allowed to cover the fixture.
4. Please keep away from the corrosive substance and keep the fixture dry and clean.

Working temperature: -20°C~50°C

Storage temperature: -20°C~40°C

