

PREPARED BY:

PROJECT:

TYPE:



CCT ADJUSTABLE ROUND SLIM DOWNLIGHT

DOWNLIGHT SERIES



FEATURES

- Edge-lit technology, no glare or dark spots, instant-on
- No existing recessed housing or junction box require
- Dimming: Traic down to 10%
- IC Rated for direct contact with insulation
- Suitable for wet location
- Rate for long life-50,000hrs
- 5 CCT Selectable

SPECIFICATIONS

• Wattage	9W / 18W	• Frequency	50/60Hz
• Input Power	120V	• Beam Angle	120°
• Recessed Downlight Size	4" / 6"	• CRI	90Ra
• Lumen Output	900lm / 1400lm	• Environment	Wet Location
• Efficiency	>70 lm/W	• Operating Temp.	-20°~40°
• Dimming	TRIAC	• Certification	ETL
• Power Factor	>0.9	• Lifetime	50,000hrs

ORDERING GUIDE

Model	Size	Wattage	Lumens	Color Temperature	Trim
LB11453	4"	9W	900lm	2700K	White
LB11456	6"	18W	1400lm	3000K	Black
				3500K	BrushedNickel
				4000K	Bronze
				5000K	Copper



PREPARED BY:
PROJECT:
TYPE:

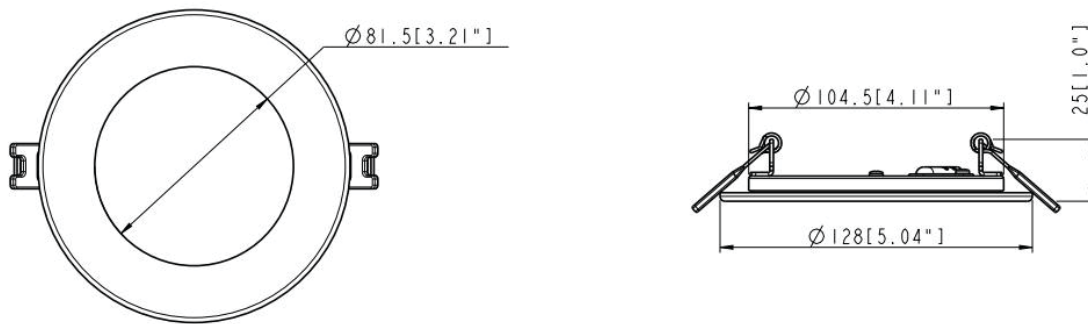


CCT ADJUSTABLE ROUND SLIM DOWNLIGHT

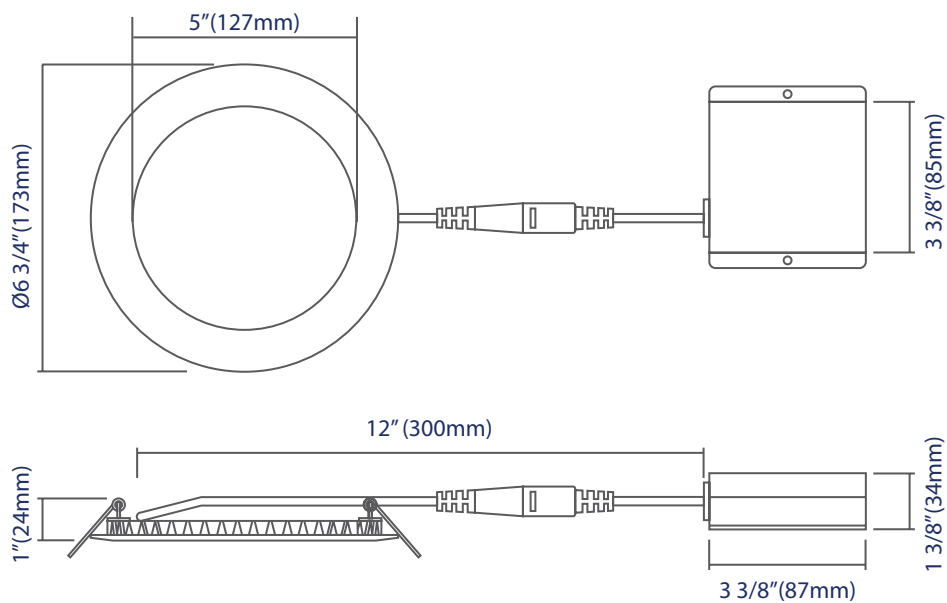
DOWNLIGHT SERIES

DIMENSION

4 INCH



6 INCH



PREPARED BY:

PROJECT:

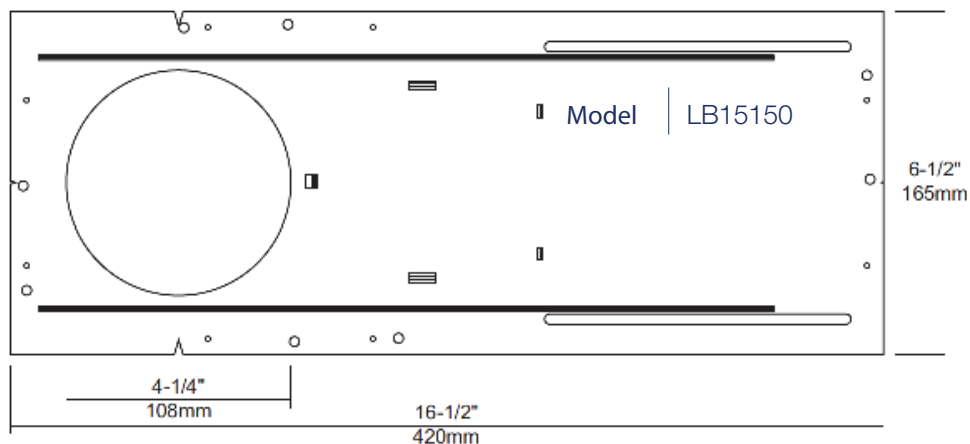
TYPE:



CCT ADJUSTABLE ROUND SLIM DOWNLIGHT

DOWNLIGHT SERIES

NEW CONSTRUCTION PLATE FOR THE 4" SLIM DOWNLIGHT:



FEATURES

GENERAL

Constructed of galvanized steel, this 4.25" round opening pre-mounting plate is used to mount our 4 inch SLIM DOWNLIGHTS.

MOUNTING

The plate includes mounting holes and tracks to satisfy any type of installation. Alignment notches on plate to help aligning multiple plates.

PREPARED BY:

PROJECT:

TYPE:



CCT ADJUSTABLE ROUND SLIM DOWNLIGHT

DOWNLIGHT SERIES

DIMMER COMPATIBLE LIST:

BRAND	SERIES	MODEL	LOAD	
LUTRON	SKYLARK CONTOUR	LECL-153P	150W	
		CTCL-150H	150W	
		LGCL-153PLH	150W	
		CTCL-153P	150W	
		SCL-153P	150W	
		S-600P	600W	
	CASETA	PD-6WCL	150W	
		PD-5NE	150W	
		PD-10NXD	250W	
		DIVA	DVCL-153P	150W
		TOGGLER	TGCL-153P	150W
		ARIADNI	AYCL-153P	150W
		MAESTRO	MACL-153M	600W
LEVITON	ILLUMATECH	IPL06	150W	
		6672	150W	
	SURESLIDE	6674	150W	
EATON	SMART DIMMER	AAL06	300W	
PASS & SEYMOUR	HARMONY	DCL453PTCCCV6	150W	
GE	ROCKER	10464	150W	
	TOGGLE	18027	150W	