



ROUND SLIM DOWNLIGHT CCT ADJUSTABLE

DOWNLIGHT SERIES

PROJECT:

PREPARED BY:

DATE:

TYPE:



FEATURE

- Edge-lit technology
- No existing recessed housing required
- Dimming: Triac down to 10%
- IC Rated for direct contact with insulation
- Suitable for wet location
- Rate for long life - 50,000hrs
- 5CCT Selectable
- Compatible with 12-2 / 12-3 BX and MC Cable
- Maximum amount of 4 12AWG or 6 14AWG per driver

PERFORMANCE

• Wattage	9W	• Frequency	50/60Hz
• Input Power	120V	• Beam Angle	120°
• Size	4"	• CRI	90Ra
• Lumen	900LM	• Environment	Wet Location
• Efficacy	100M/W	• Operating Temperature	-20° to 40°
• Dimming	Triac	• Certification	ETL
• Power Factor	>0.9	• Lifetime	50,000hrs

ORDERING GUIDE

Model	Size	Wattage	Lumen	Color Temperature	Trim Finish	EM
LB11453	4"	9W	900LM	27K/30K/35K/40K/50K 5CCT Selectable	White Black	EM



ROUND SLIM DOWNLIGHT CCT ADJUSTABLE

DOWNLIGHT SERIES

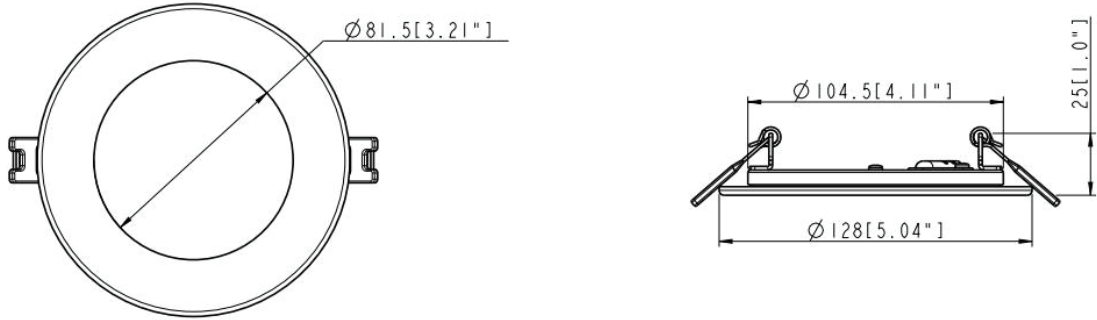
PROJECT:

PREPARED BY:

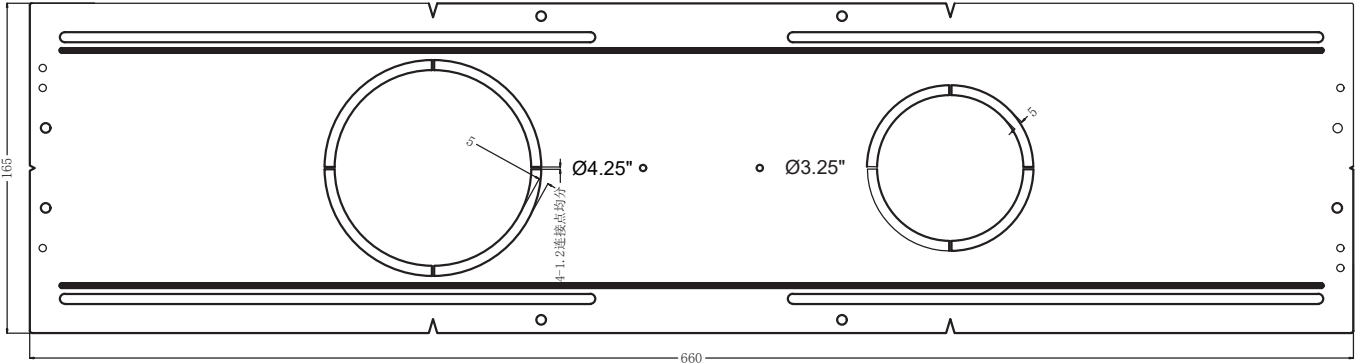
DATE:

TYPE:

DIMENSION



CONSTRUCTION PLATE



MODEL: LB15156

- General: Constructed of galvanized steel, this 4.25" round opening pre-mounting plate is used to mount our 4 inch slim downlight.
- Mounting: The plate includes mounting holes and tracks to satisfy any type of installation. Alignment notches on plate to help aligning multiple plates.



ROUND SLIM DOWNLIGHT CCT ADJUSTABLE

DOWNLIGHT SERIES

PROJECT:

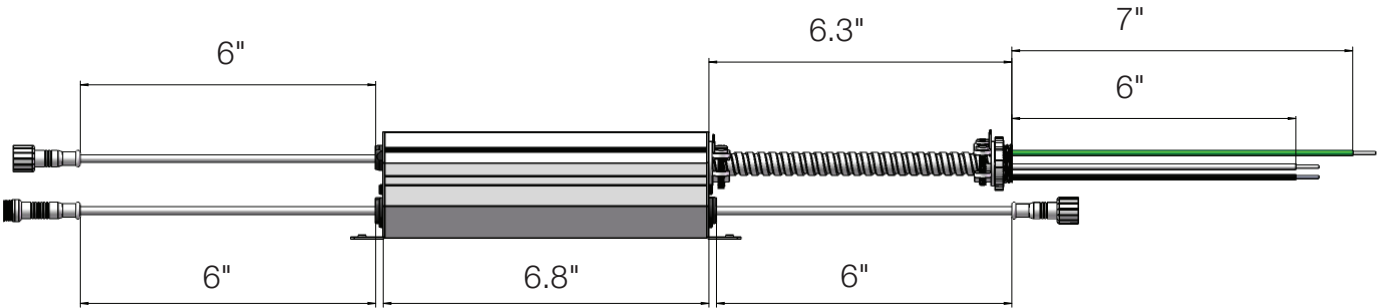
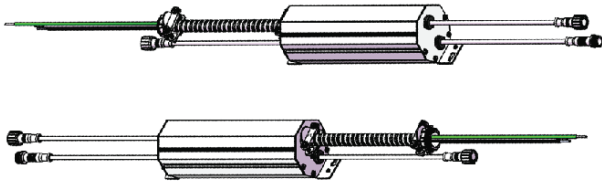
PREPARED BY:

DATE:

TYPE:

EMERGENCY BACK UP DRIVER RAD25/35-EM

90 minute run time
See spec sheet for for further information





ROUND SLIM DOWNLIGHT CCT ADJUSTABLE

DOWNLIGHT SERIES

PROJECT:

PREPARED BY:

DATE:

TYPE:

DIMMER COMPATIBLE LIST

BRAND	SERIES	MODEL	LOAD	
LUTRON	SKYLARK CONTOUR	LECL-153P	150W	
		CTCL-150H	150W	
		LGCL-153PLH	150W	
		CTCL-153P	150W	
		SCL-153P	150W	
		S-600P	600W	
	CASETA	PD-6WCL	150W	
		PD-5NE	150W	
		PD-10NXD	250W	
		DIVA	DVCL-153P	150W
		TOGGLER	TGCL-153P	150W
	ARIADNI	AYCL-153P	150W	
	MAESTRO	MACL-153M	600W	
LEVITON	ILLUMATECH	IPL06	150W	
		6672	150W	
	SURESLIDE	6674	150W	
EATON	SMART DIMMER	AAL06	300W	
PASS & SEYMOUR	HARMONY	DCL453PTCCCV6	150W	
GE	ROCKER	10464	150W	
	TOGGLE	18027	150W	