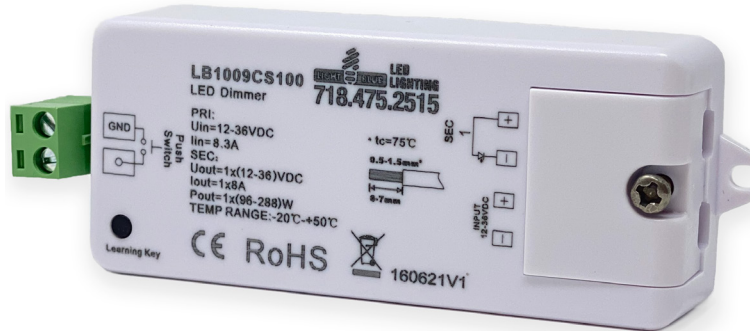


PREPARED BY:
PROJECT:
TYPE:



1 CHANNEL UNIVERSAL RF RECEIVER CONTROLLER SERIES



FEATURES

- Mini size RF dimmer controller
- Constant voltage output available in 12VDC, 24VDC or 36VDC
- Full compatibility with a variety of single color RF remotes and normal push button dimmer
- High reliability and stability
- Multiple zones can be controlled separately or synchronously with endless receivers in each zone
- Control distance can be over 20 meters
- Dimming range from 0.1%-100%
- Use with power repeater to expand the output power unlimitedly

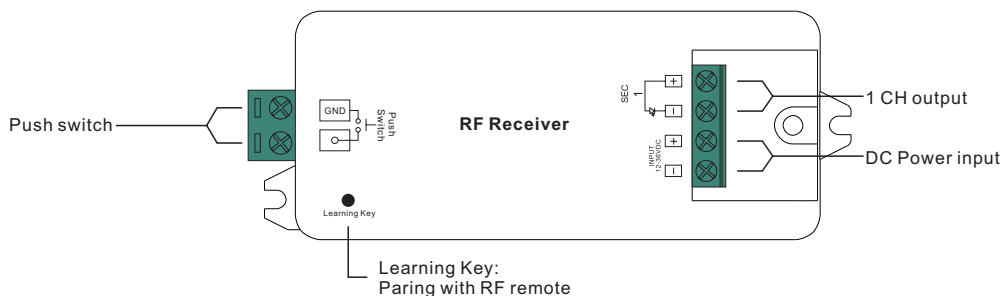
SPECIFICATIONS

• Input Voltage	12-36 VDC	• Waterproof Grade	IP20
• Output Current	1x8A	• Radio Frequency	868mhz
• Output Power	1 x (96-288)W	• Dimensions	3.74" x 1.46" x 0.79" (95mm x 37mm x 20mm)
• Remarks	Constant Voltage		

***Not compatible with magnetic drivers.**

ORDERING GUIDE

Model	Description
LB1009CS100	UNIVERSAL RF RECEIVER 1 CHANNEL



Safety & Warnings

- DO NOT install with power applied to device.
- DO NOT expose the device to moisture.

Operation

Do wiring according to connection diagram.

Pair RF Receiver with RF remote:

1. Connect and wire up the RF receiver correctly, power on.
2. Turn on the remote, click the “**Learning Key**” button on receiver, immediately click a zone number to pair the receiver to the specified zone if the remote is a multi-zone controller (if it is a single zone remote, this step is unnecessary), then touch the color wheel or slider bar on the remote (if the remote does not have color wheel or slider bar, click or touch any keys), the connected led light on receiver flickers twice, which means well paired.

Note: one receiver can be paired with max 8 remote controls.

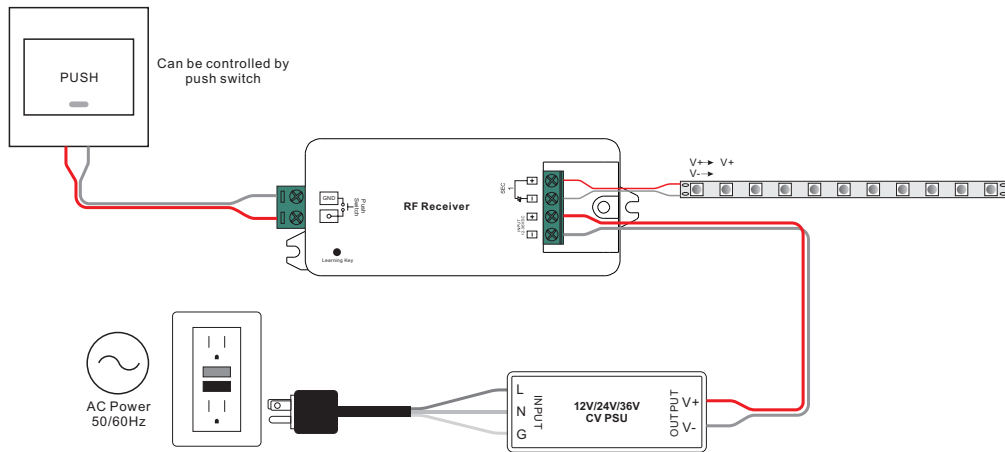
PUSH DIM:

When connected to Push Switch, click push switch for switch ON/OFF, hold push switch to dim up/down the brightness

Delete the pairing:

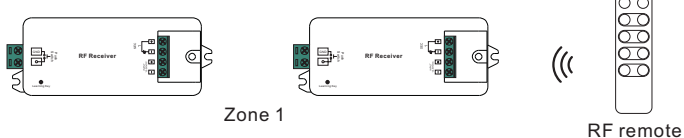
1. Wire up the RF receiver correctly, power on.
2. Hold down the “**Learning Key**” button on receiver for over 3 seconds until the connected led light on receiver flickers twice, which means well deleted.

Wiring Diagram



If you use multiple receivers, you have two choices:

Option 1: have all the receivers in the same zone, like zone 1



Option 2: have each receiver in a different zone, like zone 1, 2, 3 or 4

