

PREPARED BY:

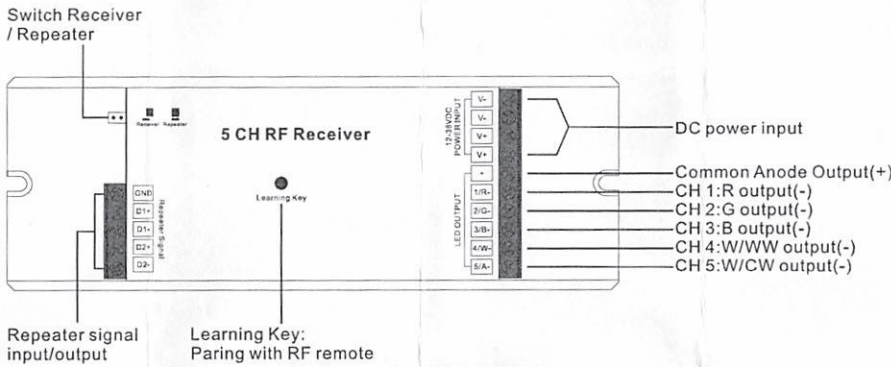
PROJECT:

TYPE:



5 CHANNEL UNIVERSAL RF CONTROLLER CONTROLLER SERIES

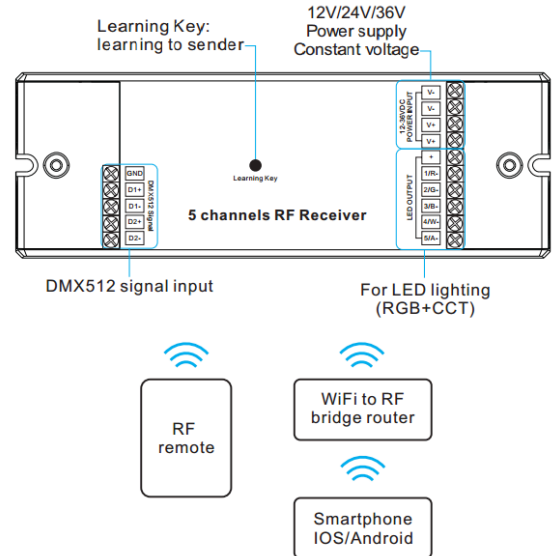
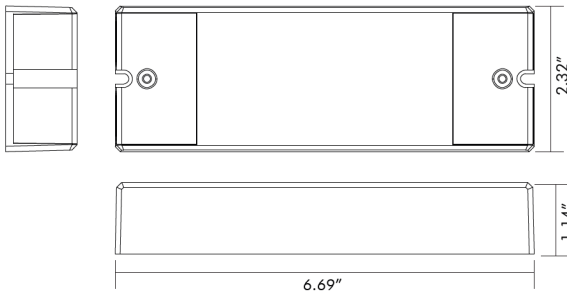
Function introduction



Product Data

Input Voltage	Output Current	Output Power	Connector Current Rating	Wire Size	Remarks	Size(LxWxH)
12-36VDC	5x5A	5x(60-180)W	Max. 20A	0.05-3.3mm ² (12-30AWG)	Constant voltage	170x59x29mm

- Radio Frequency : 869.5/916.5/434mhz
- Waterproof grade; IP20



Safety & Warnings

- DO NOT install with power applied to device.
- DO NOT expose the device to moisture.

Pair/delete the pairing with RF remote

1. Do wiring according to connection diagram.
2. Pair RF Receiver with RF remote: please refer to the instruction of the remote that you would like to pair with.
3. Delete the pairing:
 - (1) Wire up the RF receiver correctly, power on:
 - (2) Press and hold down the " Learning Key" button on receiver for over 3 seconds until the connected light flashes, which means well deleted.

Receiver/Repeater setting jumper:

One receiver can connect multiple repeaters to realize perfect sync the sync distance can be over 100m no volt drop.

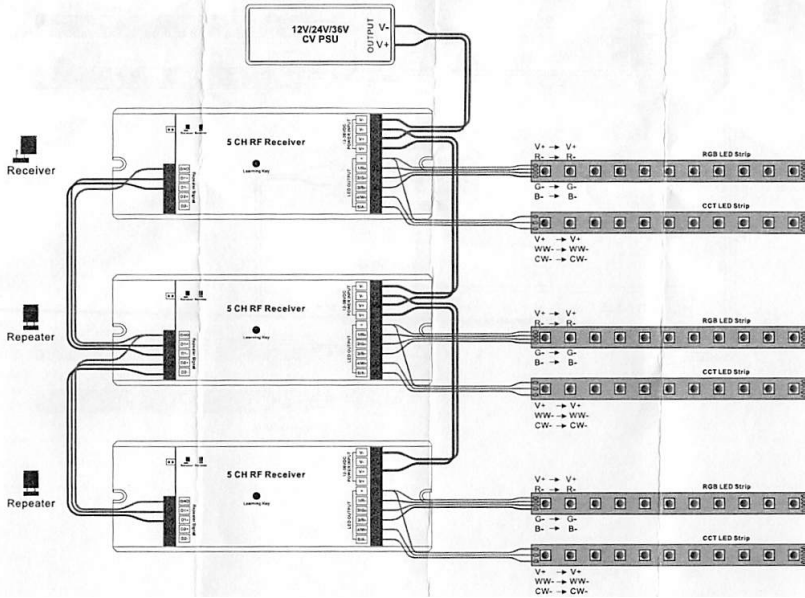
PREPARED BY:
PROJECT:
TYPE:



5 CHANNEL UNIVERSAL RF CONTROLLER CONTROLLER SERIES

Wiring Diagram

1) When total load of each receiver is not over 20A



2) When total load of each receiver is over 20A

