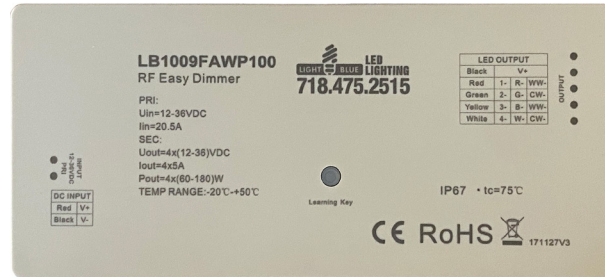


PREPARED BY:  
PROJECT:  
TYPE:



# UNIVERSAL WATERPROOF RF RECEIVER CONTROLLER SERIES



## FEATURES

- Waterproof RF dimmer controller with IP67 rating
- Constant current and constant voltage version available
- Full compatibility with a variety of single color RF remotes and normal push button dimmer
- High reliability and stability
- Multiple zones can be controlled separately or synchronously with endless receivers in each zone
- Control distance can be over 20 meters
- Dimming range from 0.1%-100%
- Use with power repeater to expand output power unlimitedly

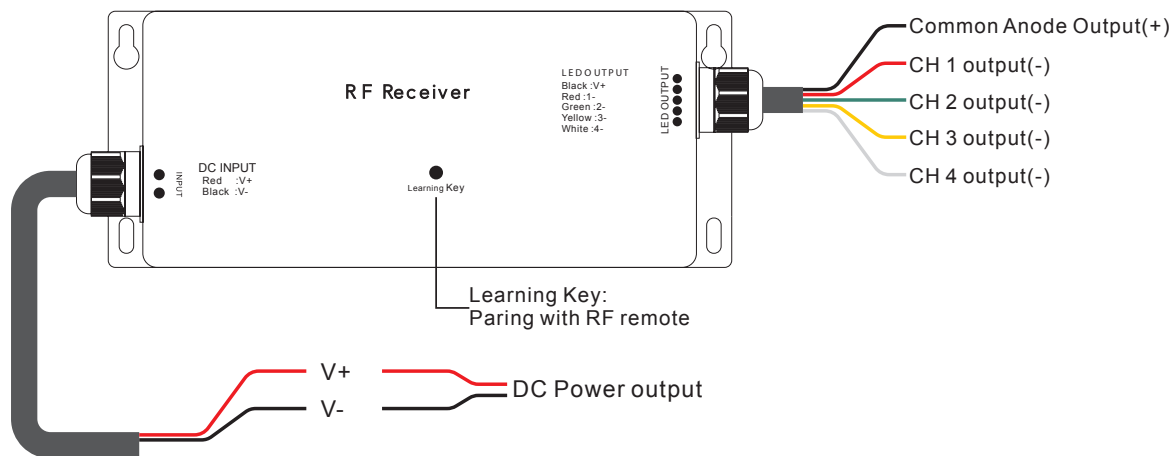
## SPECIFICATIONS

- |                  |                  |                    |  |
|------------------|------------------|--------------------|--|
| • Input Voltage  | 12-36 VDC        | • Waterproof Grade | IP67   |
| • Output Current | 4x5A             | • Dimensions       | 3.74" x 1.46" x 0.79"<br>(180.5mm x 73.6mm x 38mm) |
| • Output Power   | 4x (60-180)W     |                    |  |
| • Remarks        | Constant Voltage |                    |  |

**\*Not compatible with magnetic drivers.**

## ORDERING GUIDE

Model	Description
LB1009FAWP100	UNIVERSAL RF WATERPROOF RECEIVER



PREPARED BY:

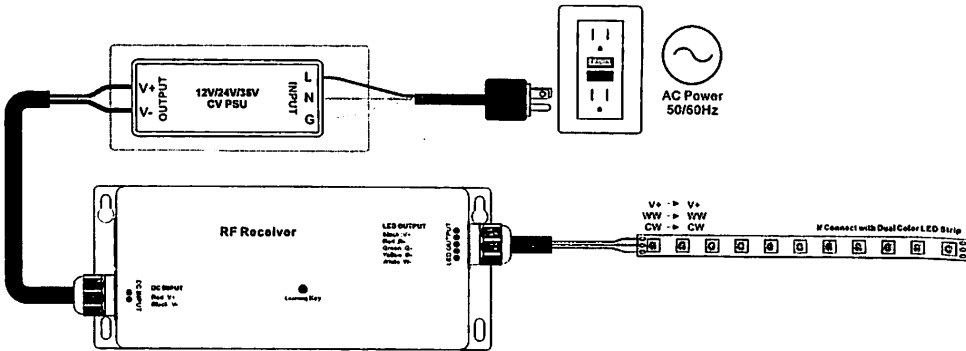
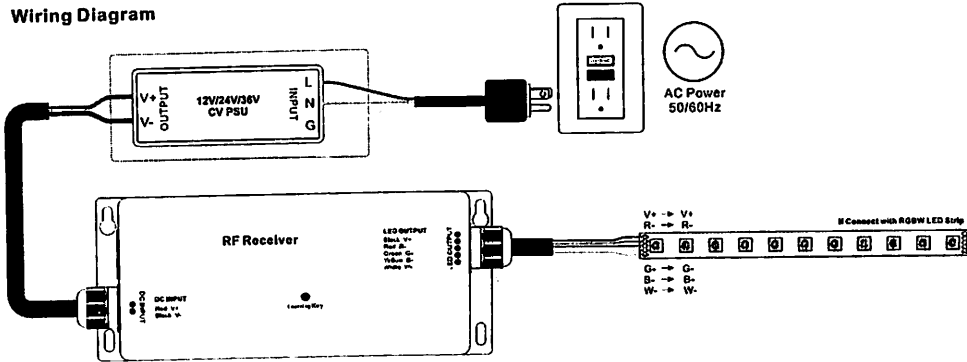
PROJECT:

TYPE:

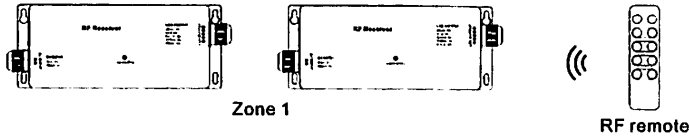


# UNIVERSAL WATERPROOF RF RECEIVER CONTROLLER SERIES

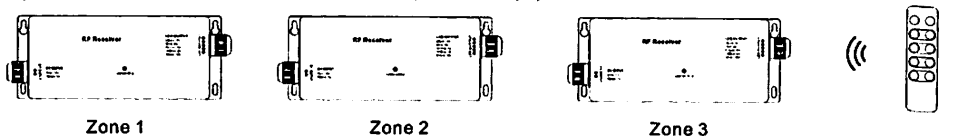
## Wiring Diagram



If you use multiple receivers, you have two choices:  
Option 1: have all the receivers in the same zone, like zone 1



Option 2: have each receiver in a different zone, like zone 1, 2, 3 or 4



## Operation

Do wiring according to connection diagram.

Pair to RF sender with learning key:

1. Connect and wire up the RF receiver correctly, power on.
2. Turn on the remote, click the "Learning Key" button on receiver, immediately click a zone number to pair the receiver to the specified zone if the remote is a multi-zone controller (if it is a single zone remote, this step is unnecessary), then touch the color wheel or slider bar on the remote (if the remote does not have color wheel or slider bar, click or touch any keys), the connected led light on receiver flickers twice, which means well paired.

**Note: one receiver can be paired with max 8 remote controls.**

PREPARED BY:  
PROJECT:  
TYPE:



# UNIVERSAL WATERPROOF RF RECEIVER CONTROLLER SERIES

## **Pairing to RF sender without learning key:**

1. Pairing to RF remotes which have color wheel (including single color, CCT and RGBW): power off and power on the receiver > turn on the remote, then click a zone number twice and press and hold it continuously and quickly within 10 seconds > LED light connected with the receiver will flash to indicate successful pairing to the selected zone.
2. Pairing to multi-zone RF touch panels which have color wheel (including single color, CCT and RGBW): power off and power on the receiver > turn on the panel, then click a zone number three times and press and hold it continuously and quickly within 10 seconds > LED light connected with the receiver will flash to indicate successful pairing to the selected zone.

**Note: RF remotes without color wheel, single Zone RF touch panels with color wheel, and F touch panels without color wheel do not have this function.**

## **Delete pairing with learning key :**

1. Wire up the RF receiver correctly, power on.
2. Hold down the "Learning Key" button on receiver for over 3 seconds until the connected led light on receive, flickers twice, which means well deleted.

## **Delete pairing without learning key and RF senders:**

Power off and power on the receiver for 5 times continuously, the connected LED light will flash to indicate all pairing information is deleted successfully.

## **Delete pairing via RF sender without learning key:**

1. Delete pairing of RF remotes that have color wheel (including single color, CCT and RGBW): while the receiver has already paired to a remote that has color wheel, power off and power on the receiver > press and hold down all ON/OFF button on the remote until LED light connected with the receiver flashes > the pairing is deleted successfully.
2. Delete pairing of single zone RF touch panels that have color wheel (including single color, CCT and RGBW): while the receiver has already paired to a touch panel that has color wheel, power off and power on the receiver > press and hold down all ON/OFF button on the touch panel until LED light connected with the receiver flashes > the pairing is deleted successfully.

**Note: RF remotes without color wheel, multi-zone RF touch panels with color wheel, and RF wall panels without color wheel do not have this function.**

## **How to stop running mode of single color LED light caused by RGBW sender interference:**

1. When pairing single color LED light to a single color remote, it might be interfered and paired by nearby RGBW senders, which might control the single color light into running mode. The running mode can not be stopped by the paired single color remote or by delete pairing.
2. Then we need a remote or wall panel that has color wheel, and pair the remote or wall panel to the receiver via above mentioned pairing method 2 (Pairing to RF sender without learning key), then touch the color wheel to stop the running mode.
3. Then delete pairing and pair the receiver to the single color remote again, it can be controlled by the remote again.