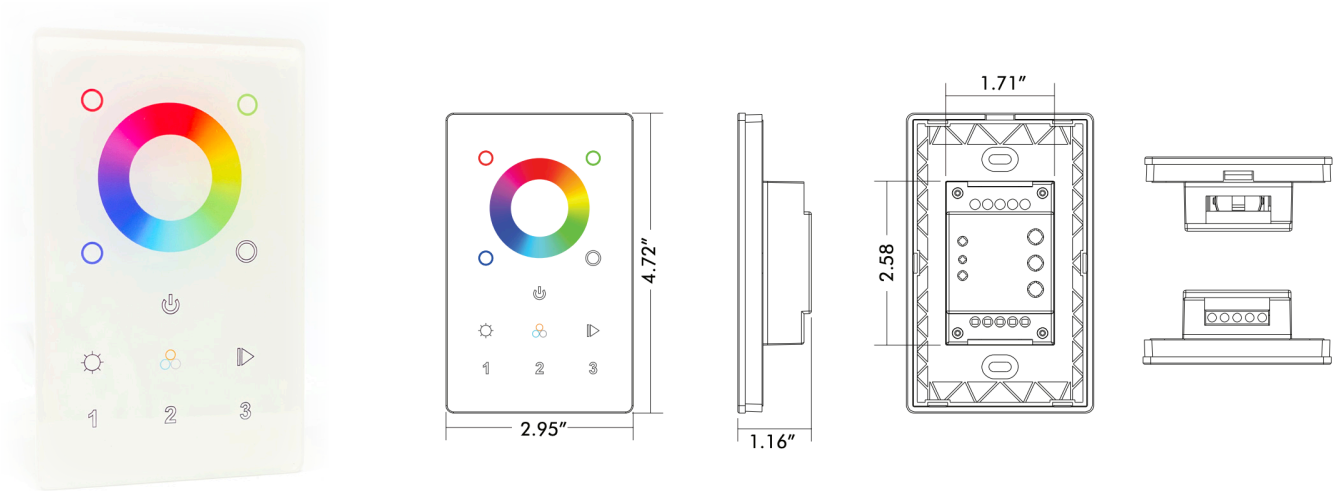


PREPARED BY:
PROJECT:
TYPE:



Wall Mounted RGBW RF CONTROLLER AC CONTROLLER SERIES



FEATURES

- Touch sensitive
- Glass interface (white)
- Control 3 zones synchronously and separately
- RF output working as a RF remote 3 zones

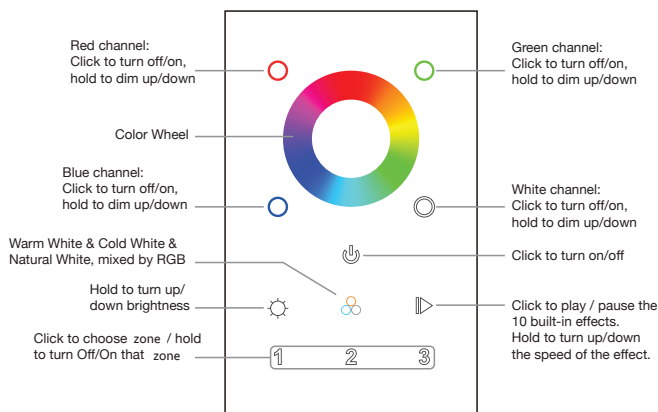
SPECIFICATIONS

- Operation Voltage: 110V AC
- Operation Frequency: RF Signal
- Dimensions: 4.72" x 2.95" x 1.16"
(L 120mm x W 75mm x H 29.5mm)

ORDERING GUIDE

Model	Description
LB2820-MK +%9; %)((RGBW RF CONTROLLER AC

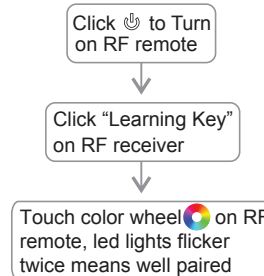
BRIEF INTRODUCTION OF BUTTONS



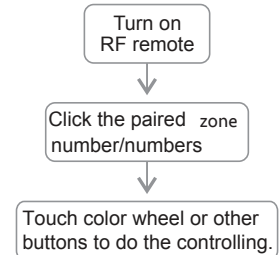
Note : This remote controls 3 zones (areas) receivers, each zone can pair with countless receivers.

1 receiver can be paired by max 8 different remote controls.

1. Pair with RF receivers:



2. Play the remote after pairing:



3. How to delete the pairing:

Power on the RF receiver, hold the "Learning Key" over 3 seconds until connected led lights flicker twice means well deleted.

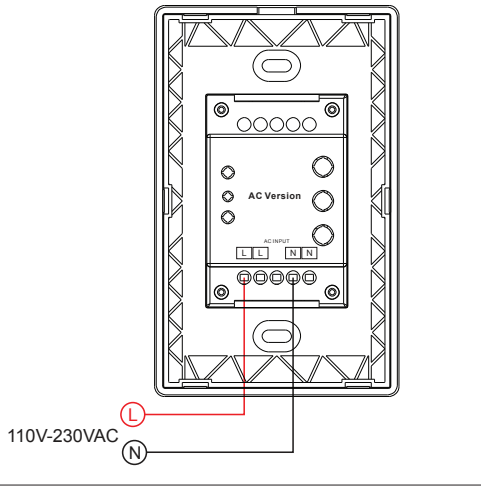
PREPARED BY:

PROJECT:

TYPE:



Wall Mounted RGBW RF CONTROLLER AC CONTROLLER SERIES



INSTALLATION

