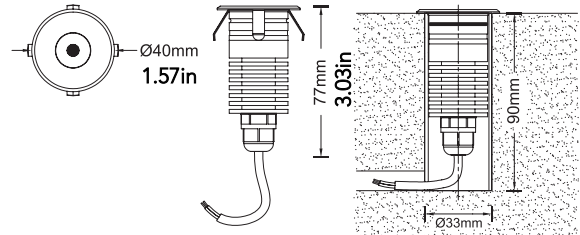


PREPARED BY:  
PROJECT:  
TYPE:



# 3W IN-GROUND LANDSCAPE SERIES



## SPECIFICATIONS

• Wattage	3 Watts	• Dimming	Non-Dimmable
• Luminous flu	120lm	• Installation Class	Class III
• CCT	3000K	• Weight	0.23 kgs
• CRI	80+	• Cable	1PC rubber cable 1M H05RN-F 2x1mm square
• Beam angle	43°	• IP rating	IP67 Waterproof
• Dimension	(D)1.57in x (H)3.03in	• Trim	Stainless steel 316
• Cut out	1.30 in	• Housing & Mounting Sleeve	Solid Passivated (Anodizing) Aluminum CNC machined
• Voltage	24V		

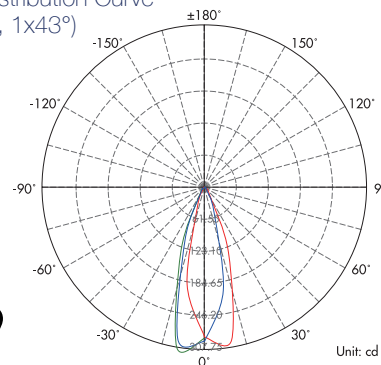
## ORDERING GUIDE

### LB77145

Model	Wattage	CCT	Lumens	Finish	Dimensions
LB77145	3W	3000K	120lm	Brushed Nickel	1.57" x 3.03"
LB77145-BZ				Bronze	

**\*NOT COMPATIBLE WITH DIMMABLE DRIVERS**

Light Distribution Curve  
(3000K, 1x43°)



Lux distance Curve  
(3000K, 1x43°)

**Illuminance at a Distance**

Distance (m)	Center Beam LUX	Beam Width V	Beam Width H
2m	71.23 LUX	1.1m	1.0m
4m	17.81 LUX	2.3m	2.1m
6m	7.91 LUX	3.4m	3.1m
8m	4.45 LUX	4.5m	4.2m
10m	2.85 LUX	5.7m	5.2m
12m	1.98 LUX	6.8m	6.3m

Vert. Spread: 31.6      Horiz. Spread: 29.4



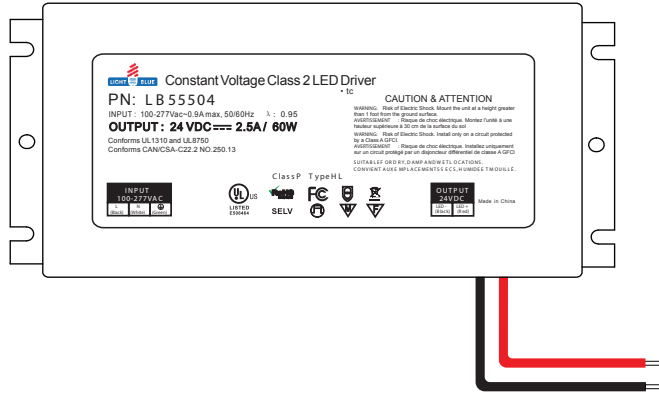
**IP67 IK09**

PREPARED BY:  
PROJECT:  
TYPE:



# POWER SUPPLIES

## LANDSCAPE SERIES



### FEATURES

- Output constant voltage
- Built-in PFC function
- Protections: short circuit/ over voltage/ over heat
- Cooling by free air convection
- Flicker-free
- Class 2, Class P, Type HL, CE, UL, FCC compliant
- PWM output, does not change the color index
- Metal housing
- Suitable for dry location
- Strong compatibility
- Suitable for LED lighting and moving sign applications
- Compliance to worldwide safety regulations for lightings.
- Compatible with Forward phase, Reverse phase, Triac, MLV
- 3 years warranty

### ORDERING GUIDE

Model	Wattage	Dimming	Voltage	Current	Load Regulation	Dimensions	Weight
LB55504	60W	Non- Dimmable	24V	2.5A	1±	7.4" x 3.6" x 1.02"	2.4 lb
LB55450	120W	Non- Dimmable	24V	5A	1±	8.66" x 3.6" x 1.61"	2.9 lb
LB55451	200W	Non- Dimmable	24V	8.33A	1±	10.23" x 4.05" x 1.81"	4.0 lb