

PREPARED BY:

PROJECT:

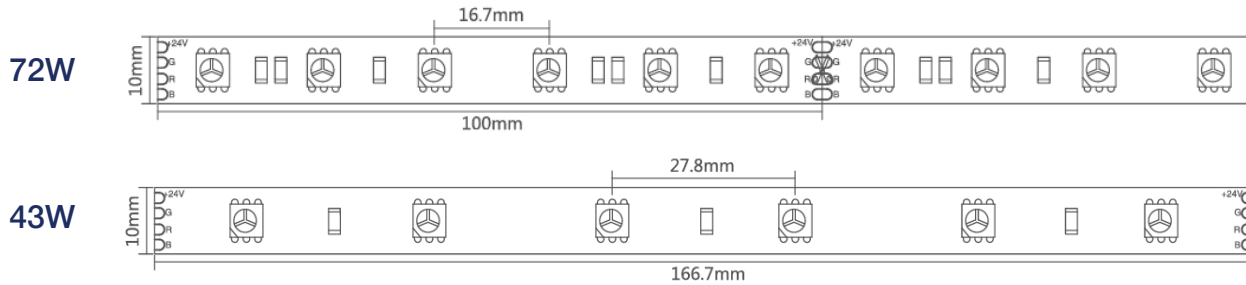
TYPE:



RGB 5050 SERIES

STRIP LIGHTS

The Strip Light Series brings forward a contemporary and versatile sector of lighting. Optimal varieties of wattage and color temperatures are at the ready, in order to make any application possible. Every Strip Roll is made with the highest attention to detail and quality. Each and every chip is carefully tested to fulfill the Light Blue USA promise to deliver the most elite illumination for your environment.



72W

- Wattage 4.5 W/FT
- Lumen Efficiency 180 lm/FT
- LED Quality 60 LEDs, 0.66" LED Pitch
- Voltage 24 Volt
- Current 0.18A/FT
- Ambient Temperature -20°C - 45°C
- Humidity 40% - 70% RH
- Cutting Interval 3.94"
- Dimensions 196.85" x 0.39" x 0.08"

43W

- Wattage 2.6 W/FT
- Lumen Efficiency 110 lm/FT
- LED Quality 36 LEDs, 1.09" LED Pitch
- Voltage 24 Volt
- Current 0.11A/FT
- Ambient Temperature -20°C - 45°C
- Humidity 40% - 70% RH
- Cutting Interval 6.56"
- Dimensions 196.85" x 0.39" x 0.08"

ORDERING GUIDE

Model	Length (ft)	IP Rating	Wattage	Color Temperature	Lumens/ft	Efficacy
LB53107 LB53106	16.4 ft	IP20 IP65	72W	RGB	180lm	40lm/W
LB53130 LB53131		IP20 IP65				

*CONTACT FOR STOCK CONFIGURATIONS

- Custom length cuts are sealed and secured at our facility
- All cuts must be made directly on line indication
- Any cuts made in field must be properly sealed in order to be IP65 rated

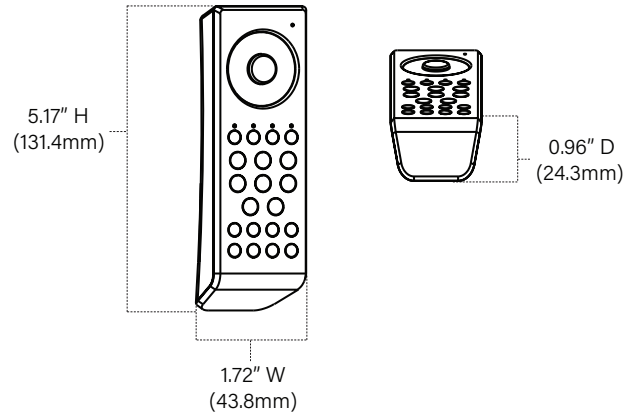
*** COMPATIBLE WITH ELECTRONIC DRIVER ONLY ***



PREPARED BY:
PROJECT:
TYPE:



HAND HELD RF RGBW CONTROLLER CONTROLLER SERIES



FEATURES

- Adjustable changing speed with 8 levels, quickest speed is 10S, slowest speed is 900S.
- Enable to control 2 zones separately. Each zone can be set endless receivers, each receiver maximally be controlled by 8 different remotes.
- Changing modes of 2 zones can be synchronized without any confusion.
- Controlling RGBW 4 colors that achieve more selectable colors than traditional RGB control.
- To work with power repeater to expand output unlimitedly
- To adjust brightness of each color independently that can achieve millions of changing colors.
- Built-in 4 changing modes
- Enable to save 4 colors
- Synchronization function of pattern changes ensure consistent change forever
- Receivers can work with RF-WIFI converter after installing software on IOS and Android system
- Enable to dim brightness of each R, G, B, W channel, in order to mix millions colors

SPECIFICATIONS

- Operation Voltage 4.5V (3xAAA battery)
- Operation Frequency 868MHz
- Dimensions 5.17" x 1.72" x 0.96"

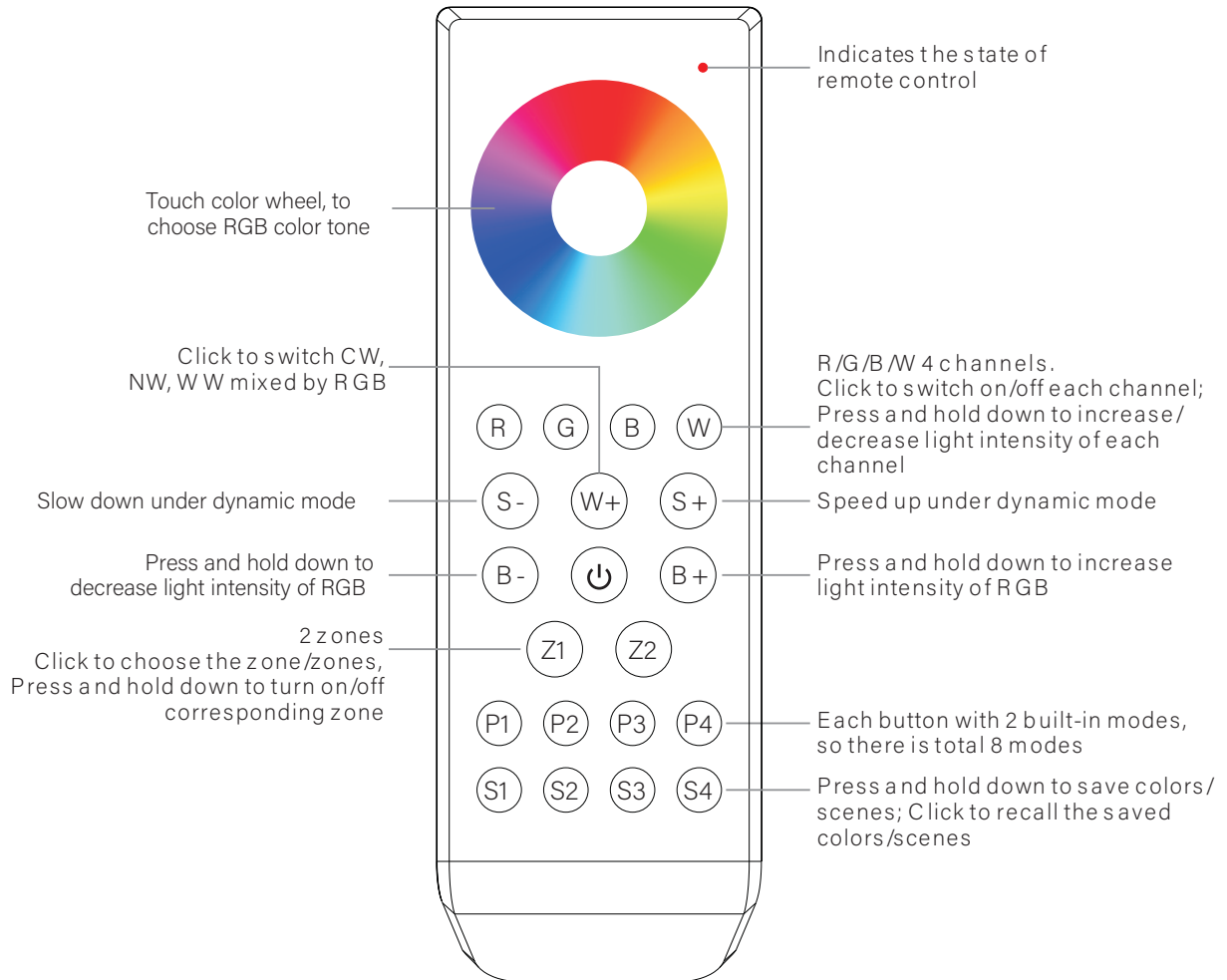
ORDERING GUIDE

Model	Description
LB2819T100	RF RGBW CONTROLLER

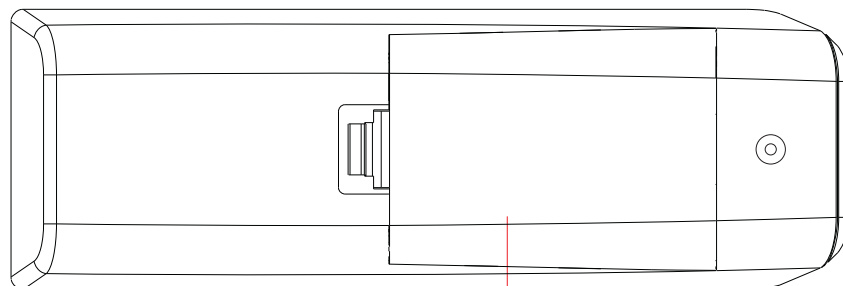


Important: Read All Instructions Prior to Installation

Function introduction



Front side



4.5V(3xAAA battery)

Back side

Product Data

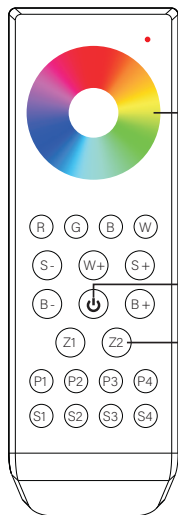
Output	RF signal
Operation Frequency	869.5/916.5/434MHz
Power Supply	4.5V(3xAAA battery)
Operating temperature	0-40°C
Relative humidity	8% to 80%
Dimensions	5.17" x 1.72" x 0.96"

- High sensitive & high stable touch color wheel, fast & precise color control.
- Enable to control 2 zones separately .
- 8 changing modes. Enable to stay at any color under situation of color changing modes.
- Compatible with all universal series RF receivers
- 1 receiver can be paired by max 8 different remote controls.
- Waterproof grade: IP20

Safety & Warnings

- This device contains AAA batteries that shall be stored and disposed properly.
- DO NOT expose the device to moisture.

Pair with RF receiver(Method 1)



Step 1: Do wiring the RF receiver according to wiring diagram(please refer to the instruction of RF receiver that you would like to pair with.

Step 5: Touch the color wheel, LED lights connected with the RF receiver flicker once means the receiver is paired with zone 2 successfully .

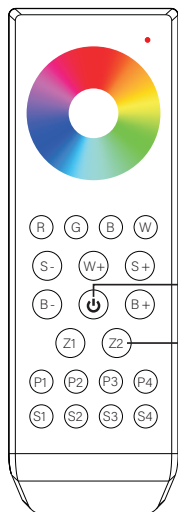
Step 2: Click ON/OFF button to activate the remote

Step 4: Choose and click a zone number(e.g. zone 2)



Step 3: Click the " Learning Key" button on RF receiver or re-power on the receiver three times continuously to set it into pairing status

Pair with RF receiver(Method 2)



Step 1: Do wiring the RF receiver according to wiring diagram (please refer to the instruction of RF receiver that you would like to pair with.

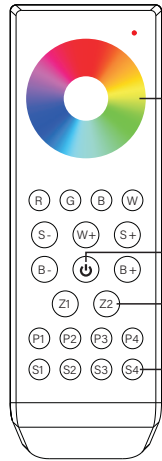


Step 3: Power off and power on the receiver

Step 2: Click ON/OFF button to activate the remote

Step 4: Choose and click a zone number(e.g. zone 2) twice, then press and hold it continuously and quickly within 10 seconds, LED lights connected with the RF receiver flicker once means the receiver is paired with zone 2 successfully .

Save color/scene/mode



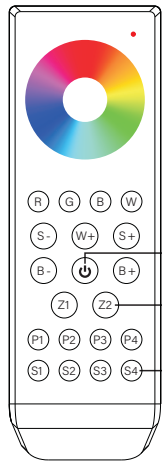
Step 3: Touch the color wheel or click the other buttons to select the scene you like

Step 1: Click ON/OFF button to activate the remote

Step 2: Choose and click one or multiple paired zone numbers(e.g. zone 2)

Step 4: Press and hold any scene buttons of S1-S4 (e.g. S4) , LED lights connected with the RF receiver flicker once means the color/scene was saved successfully.

Recall the saved colors/scenes



Step 1: Click ON/OFF button to activate the remote

Step 2: Choose and click one or multiple paired zone numbers(e.g. zone 2)

Step 3: Click any scene buttons of S1-S4 (e.g. S4) to recall the saved scene

If you use multiple receivers, you have two choices:
Option 1: have all the receivers in the same zone, like zone 1



Option 2: have each receiver in a different zone, like zone 1 or 2



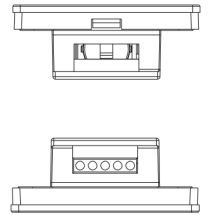
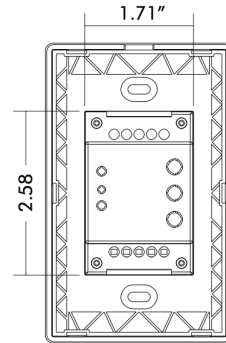
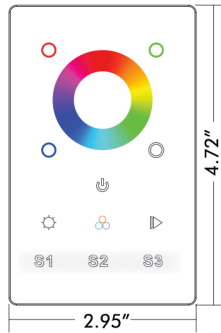
How to stop running mode of single color LED light caused by RGBW sender interference:

1. When pairing single color LED light to a single color remote, it might be interfered and paired by nearby RGBW senders, which might control the single color light into running mode. The running mode can not be stopped by the paired single color remote or by delete pairing.
2. Then we need this remote, and pair the remote to the receiver via above "Pair with RF receiver(Method 2)", then touch the color wheel to stop the running mode.
3. Then delete pairing and pair the receiver to the single color remote again, it can be controlled by the remote again.

PREPARED BY:
PROJECT:
TYPE:



Wall Mounted RGBW DMX512/ RF CONTROLLER CONTROLLER SERIES



FEATURES

- Touch sensitive
- Glass interface (white)
- Control 3 scenes synchronously and separately
- DMX+RF output (can work as both DMX master or RF remote)

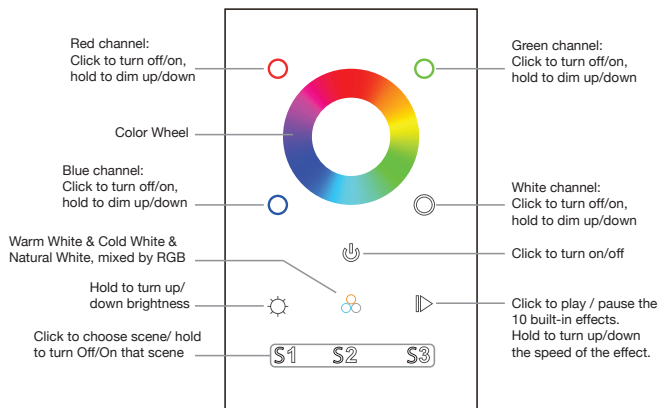
SPECIFICATIONS

- Operation Voltage: 12V/24V DC
- Operation Frequency: RF/DMX512 Signal
- Dimensions: 4.72" x 2.95" x 1.16"
(L 120mm x W 75mm x H 29.5mm)

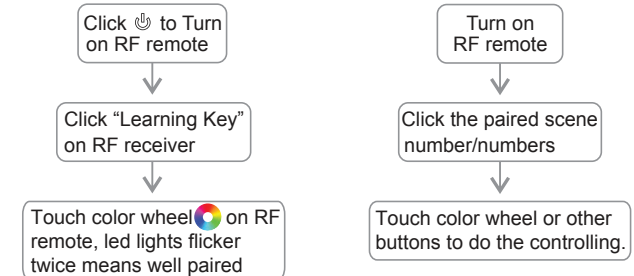
ORDERING GUIDE

Model	Description
LB2820-US-100	RGBW DMX512/ RF CONTROLLER

BRIEF INTRODUCTION OF BUTTONS



1. Pair with RF receivers: 2. Play the remote after pairing:



3. How to delete the pairing:

Power on the RF receiver, hold the "Learning Key" over 3 seconds until connected led lights flicker twice means well deleted.

PREPARED BY:

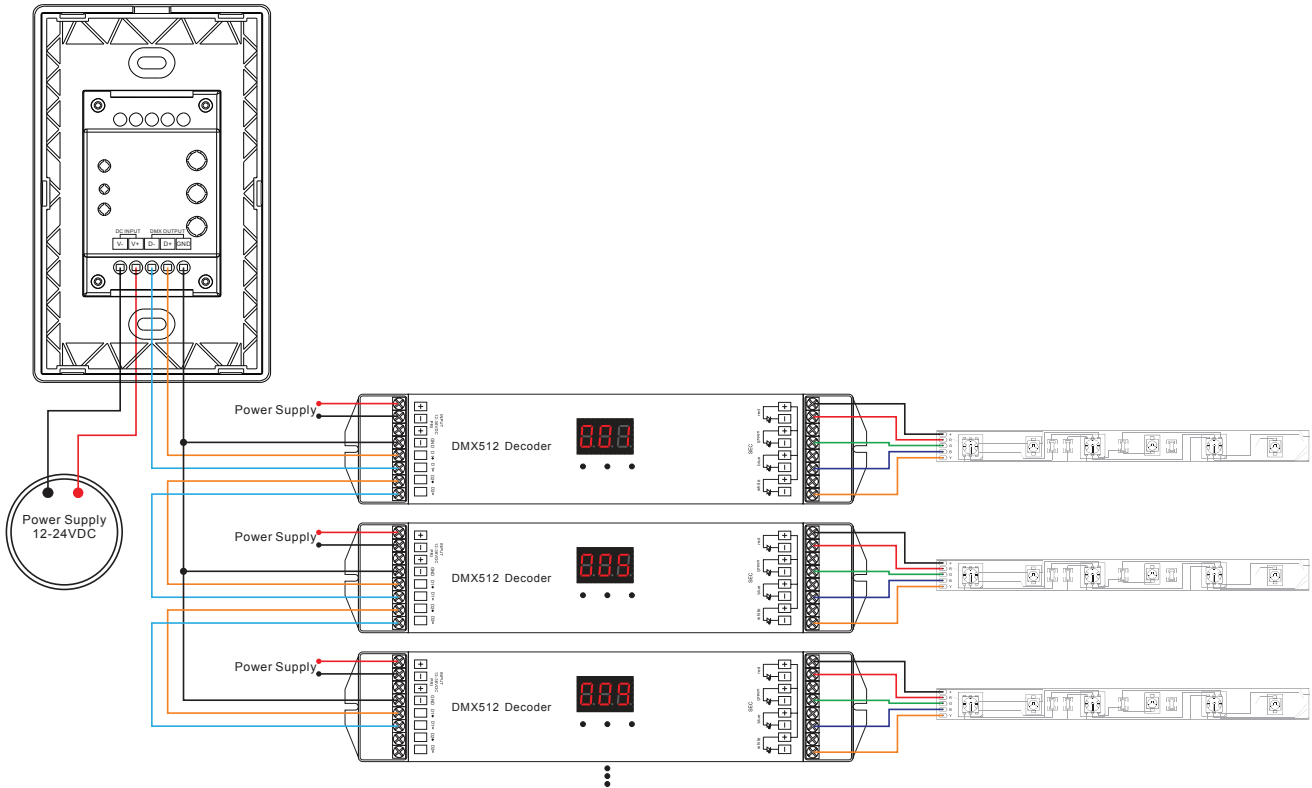
PROJECT:

TYPE:

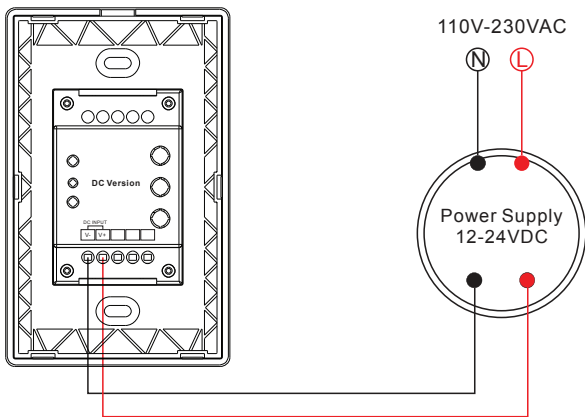


Wall Mounted RGBW DMX512/ RF CONTROLLER CONTROLLER SERIES

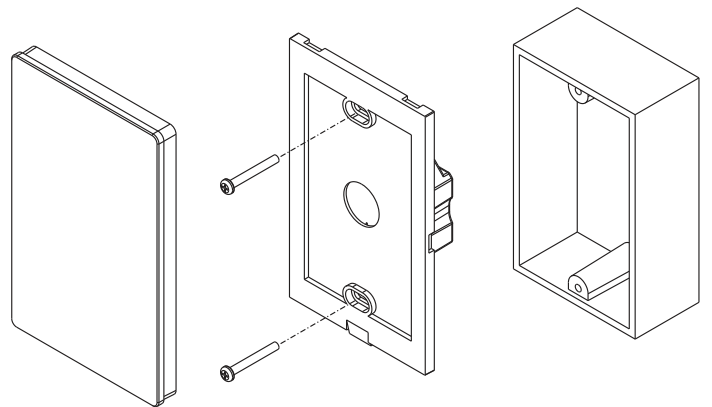
WIRING DIAGRAM



WIRING DIAGRAM



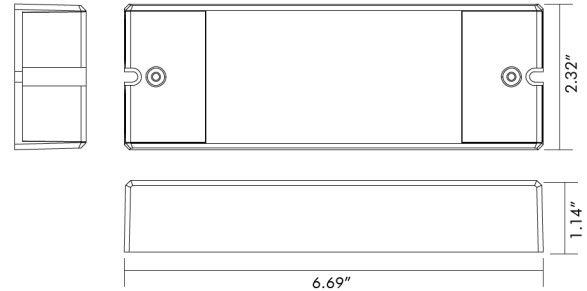
INSTALLATION



PREPARED BY:
PROJECT:
TYPE:



4 CHANNEL UNIVERSAL RF RECEIVER CONTROLLER SERIES



FEATURES

- 8 amps / 144W per channel
- Unlimited connected controllers
- Compatible with LB2820 and LB2819

SPECIFICATIONS

- | | | | |
|------------------|------------------|--------------------|-----------------------------|
| • Input Voltage | 12-36 VDC | • Waterproof Grade | IP20 |
| • Output Current | 4x8A | • Radio Frequency | 868mhz |
| • Output Power | 4 x (96-288)W | • Dimensions | 6.69" x 2.32" x 1.14" |
| • Remarks | Constant Voltage | | (L 170mm x W 59mm x H 29mm) |

***Not compatible with magnetic drivers.**

ORDERING GUIDE

Model	Description
LB1009EAPD100	UNIVERSAL RF RECEIVER 4 CHANNEL

Pair RF Receiver with RF remote:

1. Connect and wire up the RF receiver correctly, power on.
2. Make sure receiver/repeater switch is set to "receiver" (located in left hand side compartment)
3. Turn on the remote, click the "Learning Key" button on receiver, immediately click zone number then touch color wheel on remote, the connected led light on receiver flickers twice, implies successful pairing.

Delete the pairing:

1. Wire up the RF receiver correctly, power on
2. Hold the " Learning Key" button on receiver over 3 seconds until the connected led light on receiver flickers twice, which implies successful deletion.

MASTER/ Slave Jumper

In a group of multiple receivers, to get a good sync of RGB running effect please set only 1 receiver as MASTER, the other receivers as SLAVE.

After setting the Master, the Master receiver need to power off and on once to make the Master function take effect.