

PREPARED BY:

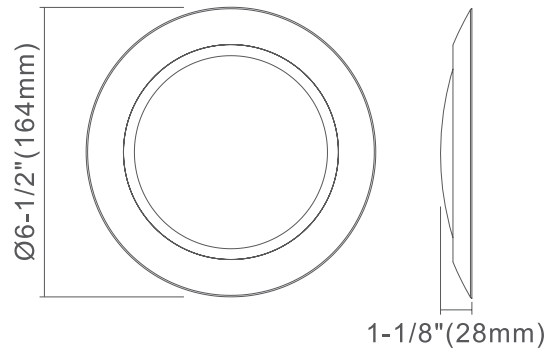
PROJECT:

TYPE:



# 6" SLIM RECESSED DISK

## SLIM DOWNLIGHT SERIES



### FEATURES

- Made of high quality aluminum and PC material, good heat dissipation performance, it emits little heat when turned on.
- Dimmable down to 10% by using an approved dimmer (refer to dimming matrix for more information).
- Fits in most standard junction boxes.
- Designed for indoor and outdoor use.
- No traditional LED driver needed, suitable for virtually any application.
- Flickering free AC design.

### SPECIFICATIONS

• Wattage	15W	• Lifetime	50,000 hrs.
• Input Voltage	120V	• Dimensions	6.5" x 1.125"
• Trim	White		

### ORDERING GUIDE

Model	Color Temp.	Lumens
LB76300	3000K	1000lm
LB76301	4000K	1050lm



PREPARED BY:

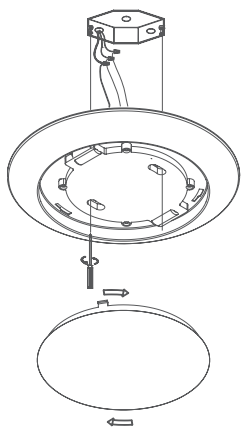
PROJECT:

TYPE:



# 6" SLIM RECESSED DISK

## SLIM DOWNLIGHT SERIES



### INSTALLATION (JUNCTION BOX)

- Step 1: Prior to installation please install two screws (furnished) into the junction box. Do not drive screws completely to the end of the junction box.
- Step 2: Connect supply wires to wires in fixture wiring box with proper size wire nuts or push wires into "push-in" connector. Connect white to white, black to black, and green or bare copper wire to bare copper wire.
- Step 3: The ground wire at the service junction box may need to be secured to a ground screw.
- Step 4: With a screwdriver attach the disk light tightly to the j-box.
- Step 5: Complete the installation by twisting the diffuser on the disk light metal enclosure and lock the diffuser in place.
- Step 6: The edge of the fixture and the ceiling use waterproof silicone to seal.

### ACCESSORIES



Mounting Clips Kit  
Wire nuts and screws