



30W CONSTANT VOLTAGE TRIAC

POWER SUPPLIES

PROJECT:

PREPARED BY:

DATE:

TYPE:



FEATURE

- Constant Voltage Mode
- Universal AC input/Full range: AC120-277V
- Flick free-dimming
- ETL Certification, Class II power unit
- Protections: Short circuit/ Overload/ Over Voltage
- Fully isolated aluminum case with IP67 level (outdoor use)
- Suitable for dry or damp location, IP67
- Suitable for LED Strip, LED modules or LED sign application

PERFORMANCE

• Wattage	30W	• Output Voltage	24VDC
• Power Factor	0.91	• Rated Current	1.25A
• Efficiency	80%	• Working Temperature	-25°C to 45°C
• THD	25%	• Working Humidity	20-90%RH, Con-Condensing

ORDERING GUIDE

Model	Dimming	Output Voltage	Wattage	Rate Current
LB555460	Triac / MLV / ELV	24V	30W	1.25A



30W CONSTANT VOLTAGE TRIAC

POWER SUPPLIES

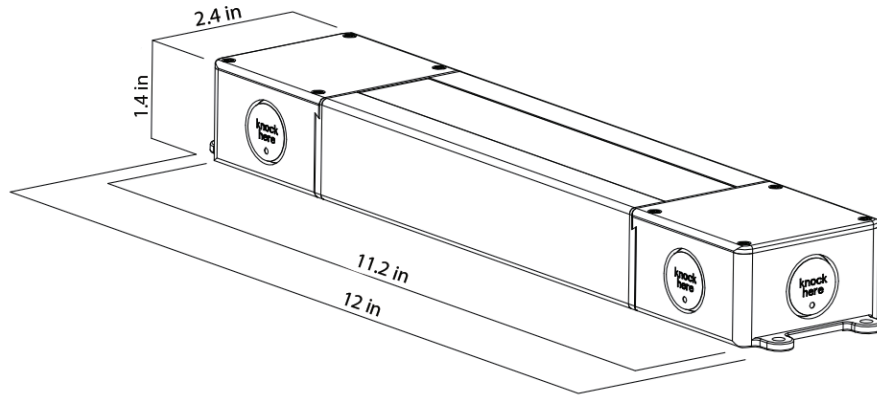
PROJECT:

PREPARED BY:

DATE:

TYPE:

DIMENSION



DIMMING AND CONNECTING DIAGRAM



INSTRUCTIONS:

1. This driver should be installed by a qualified professional.
2. Please make sure the transformer is installed with adequate ventilation around it to allow for heat dissipation.
3. Ensure that wiring is correct before testing in order to avoid light and power supply damage.



30W CONSTANT VOLTAGE TRIAC

POWER SUPPLIES

PROJECT:

PREPARED BY:

DATE:

TYPE:

DIMMER COMPATIBLE CHART

Brand	Series	Model	Load	Dimmability
Lutron	Ariadni	AYCL-153P	150W	10%-100%
	Diva	DV-600PR	600W	1%-100%
	Diva	DVCL-153P	150W	10%-100%
	Maestro	MACL-153MH	600W	10%-100%
	Maestro Wireless	MRF2-6CL	150W	10%-100%
	Rotary	D-600P	600W	10%-100%
	Electronic (ELV)	NTELV-300P	600W	10%-100%
	Skylark	S-600P	600W	10%-100%
	Skylark Conytour	CT-600P	600W	1%-100%
	Skylark Conytour	CTCL-153P	150W	10%-100%
	Toggler	TG-600P	600W	10%-100%
	Toggler	TCCL-153P	150W	10%-100%
Leviton	Sureslide	6633	600W	10%-100%
	Sureslide Decora	6674	600W	20%-100%
	Trimatron	6602	600W	20%-100%
	ILLVMATECH	IPL06	600W	1%-100%
Legrand	Adorne	ADTP703TU	700W	20%-100%
	Harmony	H703PTW	700W	10%-100%
Cooper	Aspire	9540	1000W	10%-100%
	Devine	DAL06P	300W	10%-100%

Light Blue USA has provided this dimmer switch compatibility chart for guidance when selecting a dimmer and lamp combination. Our lamps were tested for compatibility with the above listed dimmer. Dimmers that do not appear on the chart might still be compatible but have not tested.