

PREPARED BY:

PROJECT:

TYPE:



SURFACE MOUNT DISK

CEILING FIXTURES



DESCRIPTION

The Surface Mount Disk Light adds a clean modern look to any room where its placed. Versatile application design allows for installation with 3" or 4" J-Box and 5" or 6" Line Voltage Housing. The compact integrated driver provides a sleek silhouette which simultaneously contributes to overall functionality. Multiple Color Temperature options are available, as well as 3 different Trim Finishes.

SPECIFICATIONS

• Size	5"/ 7"/ 9"/ 12"/ 15"/ 18"	• Dimming	Triac
• Input Power	120V	• Operating Temperature	-20 °C to 40 °C
• CRI	80+	• Height	0.39"
• Environment	IP65	• Warranty	5 years
• Certification	ETL	• Driver	Internal
• Material	Steel, Acrylic		

ORDERING GUIDE

Model	Diameter	Wattage	Color Temp	Lumens	Efficacy	Finish
LB76348	5 inch	10W	2700K	600LM	64LM/W	White / Brushed Nickel / Black
LB76318	7 inch	16W	3000K	1100LM	69LM/W	
LB76313	9 inch	18W	3500K	1200LM	66LM/W	
LB76350	12 inch	22W	4000K	1450LM	66LM/W	
LB76352	15 inch	30W	5000K	2000LM	66LM/W	
LB76354	18 inch	35W	CCT Selectable	2200LM	63LM/W	



PREPARED BY:

PROJECT:

TYPE:

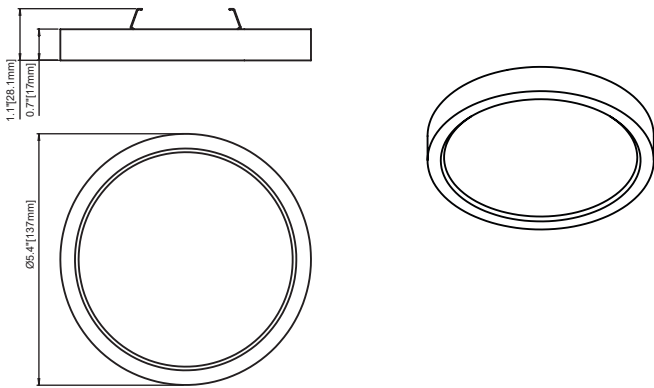


SURFACE MOUNT DISK

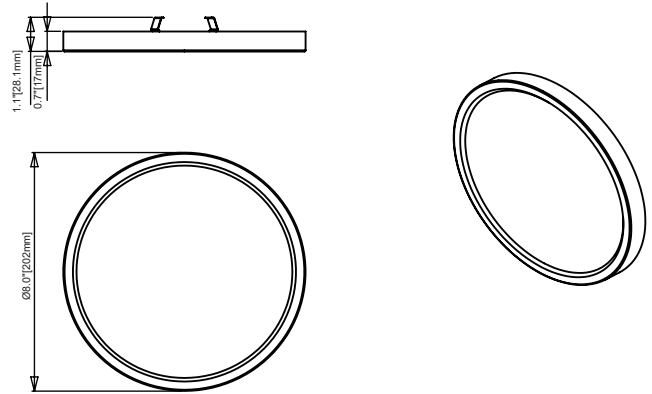
CEILING FIXTURES

DIMENSION

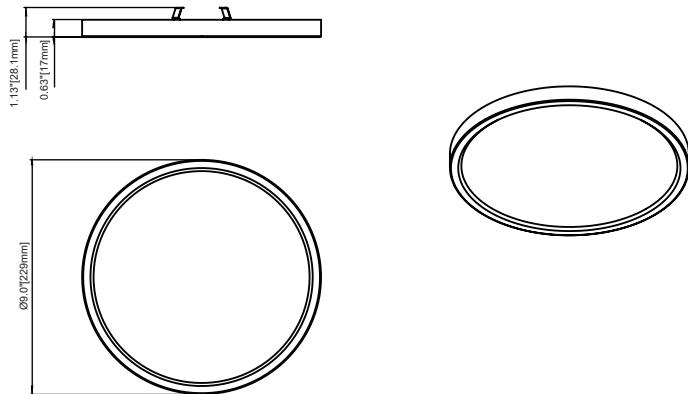
5 INCH



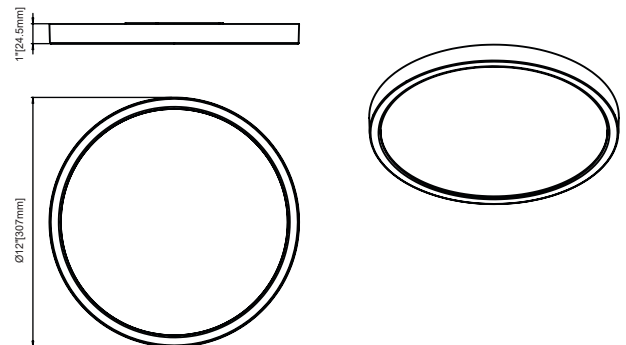
7 INCH



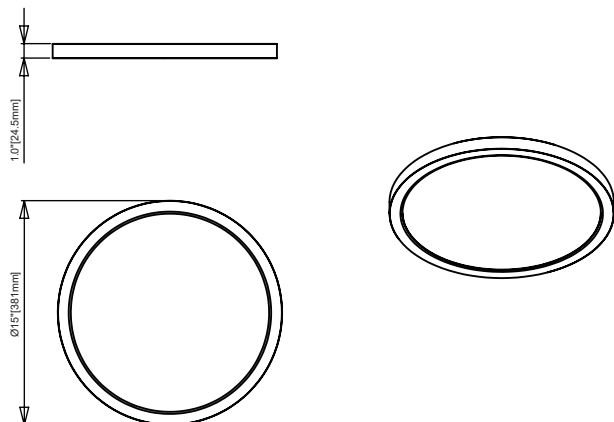
9 INCH



12 INCH



15 INCH



18 INCH

