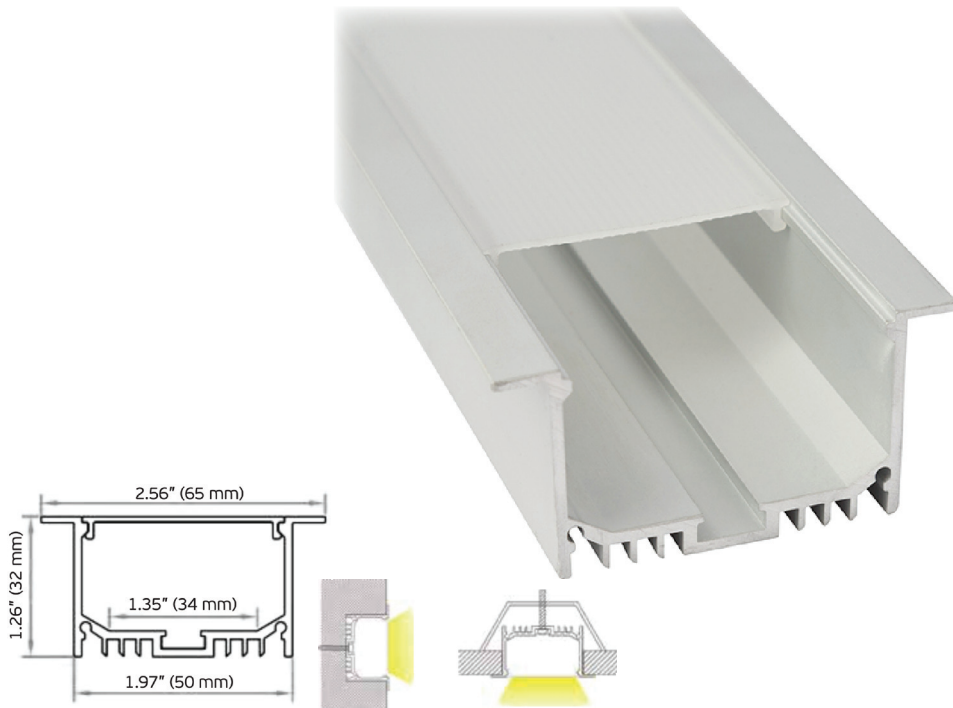


# ALP045 Recessed

## Aluminum LED Profile



### AVAILABLE ACCESSORIES:



Aluminum Profile

MODEL #	DIMENSIONS	LENGTH
LB54045	1.97" x 1.26" (50mm x 32mm)	8 ft.

**PRODUCT FEATURES:** U-shape anodized silver aluminum extrusion profile for both recessed and surface mount LED lighting projects.

**PERFECT SHIELD FOR LED STRIPS:** Aircraft grade aluminum, dissipation, providing great protection for delicate LED strip lights. Not only do aluminum channel systems dissipate the heat produced by LEDs, but the end caps protect the extrusion from dust and other undesirable elements. The mounting bracket guarantees easy and secure mounting of the extrusion to a desired surface.

**SPOT-FREE NEON EFFECT:** Different covers (opal matte, semi-clear, diffused and clear) provide a well diffused light that is comparable to neon effect, rendering a softer, more uniform light.