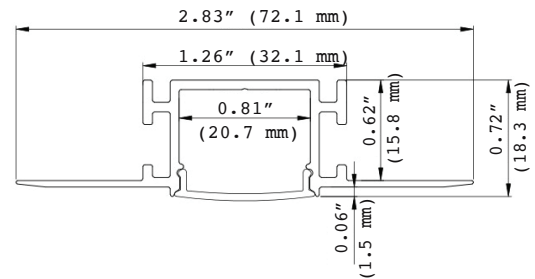
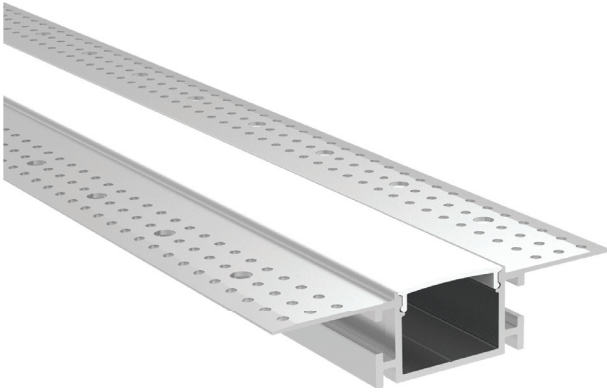


PREPARED BY:
PROJECT:
TYPE:



TRIMLESS
ALP113

ALUMINUM PROFILE



Model | LB54113

AVAILABLE ACCESSORIES



ORDERING GUIDE

Model	Dimensions	Length	Application
LB54113	2.83" x 0.72" (72.1mm x 18.3mm)	9.8 FT.	Recessed

FEATURES

Anodized silver trimless aluminum extrusion profile for recessed LED lighting projects.

PERFECT SHIELD FOR LED STRIPS

Aircraft grade aluminum allows for optimal heat dissipation, providing great protection for delicate LED strip lights. Not only do the aluminum channel systems dissipate the heat produced by LEDs, but the end caps protect the extrusion from dust and other undesirable elements. The mounting clips guarantees easy and secure application of the extrusion to any desired surface.

SPOT-FREE NEON EFFECT

Different covers (opal matte, semi-clear, diffused and clear) provide a well diffused light that is comparable to neon effect, rendering a softer, more uniform light.

PREPARED BY:

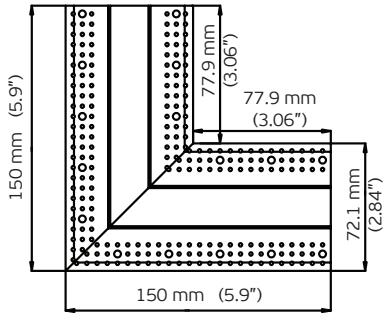
PROJECT:

TYPE:

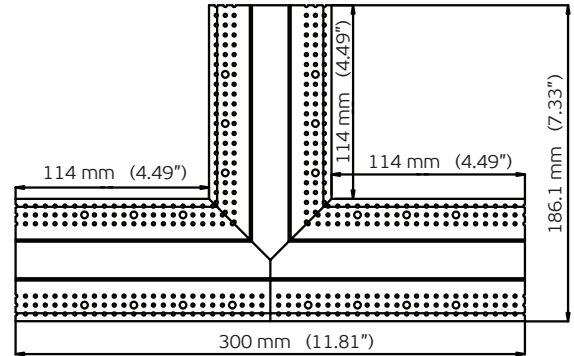


TRIMLESS
ALP113

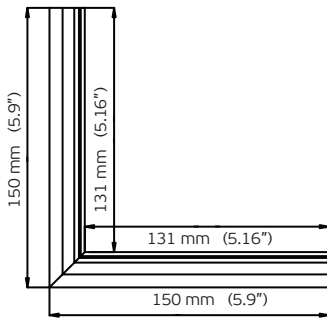
ALUMINUM PROFILE



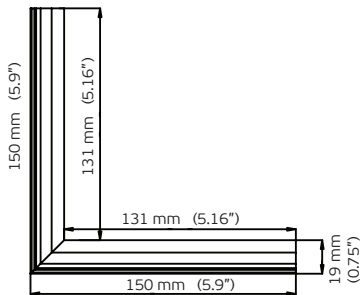
FLAT L | LB54601



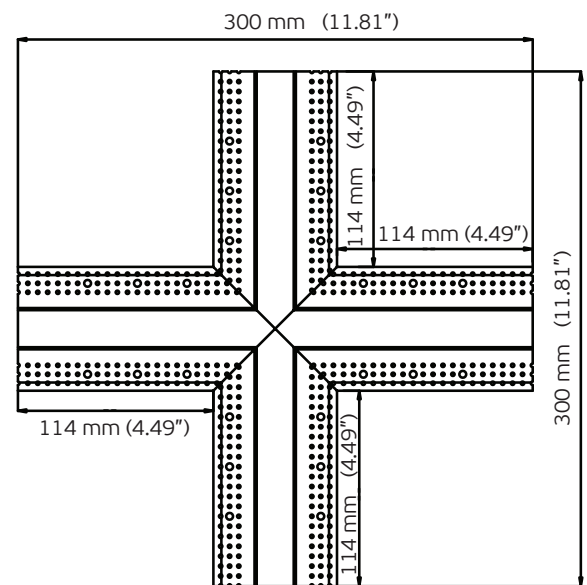
T SHAPE | LB54604



INSIDE L | LB54602



OUTSIDE L | LB54603



X SHAPE | LB54606