

PREPARED BY:

PROJECT:

TYPE:



60 WATT

CONSTANT VOLTAGE TRIAC DIMMING DRIVER



FEATURES

- Constant Voltage Mode
- Universal AC input/Full range: AC120-277V
- Flick free-dimming
- ETL Certification, Class II power unit
- Protections: Short circuit/ Overload/ Over Voltage
- Fully isolated aluminum case with IP67 level (outdoor use)
- Suitable for wet location, IP67
- Suitable for LED Strip, LED modules or LED sign application

SPECIFICATIONS

- | | | | |
|----------------|------|-----------------------|--------------------------|
| • Wattage | 60W | • Output Voltage | 24VDC |
| • Power Factor | 0.92 | • Rated Current | 2.5A |
| • Efficiency | 83% | • Working Temperature | -25°C to 45°C |
| • THD | 25% | • Working Humidity | 20~90%RH, non-condensing |
| • Environment | IP67 | | |



ORDERING GUIDE

Model	Dimming	Voltage	Current	Wattage
LB55462	Triac MLV ELV	24V	2.5A	60W

PREPARED BY:

PROJECT:

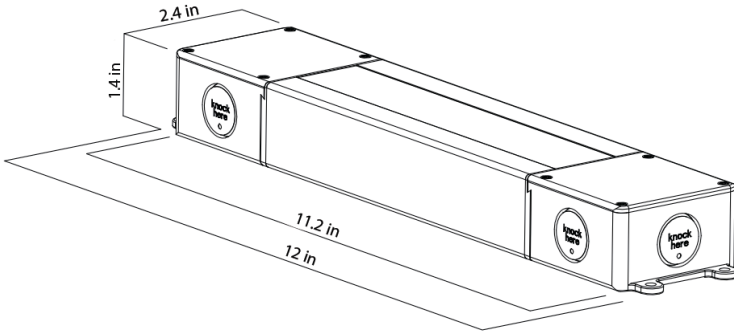
TYPE:



60 WATT

CONSTANT VOLTAGE TRIAC DIMMING DRIVER

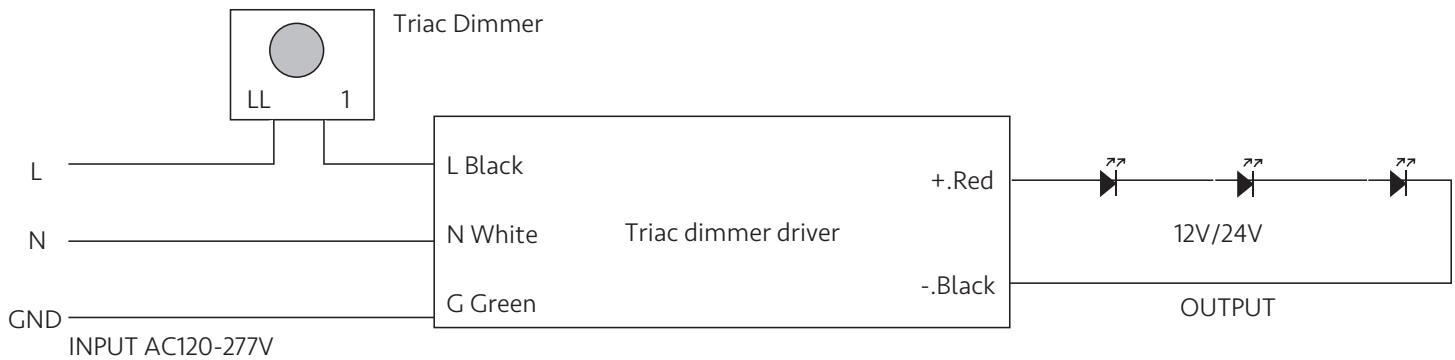
DIMENSIONS



Dimming Operation

*Dimmable with standard TRIAC, MLV and ELV dimmers

CONNECTING DIAGRAM



INSTRUCTIONS:

1. This driver should be installed by a qualified professional.
2. Please make sure the transformer is installed with adequate ventilation around it to allow for heat dissipation.
3. Ensure that wiring is correct before testing in order to avoid light and power supply damage.

PREPARED BY:

PROJECT:

TYPE:



60 WATT

CONSTANT VOLTAGE TRIAC DIMMING DRIVER

DIMMER COMPATIBLE CHART

Brand	Series	Model	Load	Dimmability
Lutron	Ariadni	AYCL-153P	150W	10%-100%
	Diva	DV-600PR	600W	1%-100%
	Diva	DVCL-153P	150W	10%-100%
	Maestro	MACL-153MH	600W	10%-100%
	Maestro Wireless	MRF2-6CL	150W	10%-100%
	Rotary	D-600P	600W	10%-100%
	Electronic (ELV)	NTELV-300P	600W	10%-100%
	Skylark	S-600P	600W	10%-100%
	Skylark Conytour	CT-600P	600W	1%-100%
	Skylark Conytour	CTCL-153P	150W	10%-100%
	Toggler	TG-600P	600W	10%-100%
	Toggler	TCCL-153P	150W	10%-100%
Leviton	Sureslide	6633	600W	10%-100%
	Sureslide Decora	6674	600W	20%-100%
	Trimatron	6602	600W	20%-100%
	ILLVMATECH	IPL06	600W	1%-100%
Legrand	Adorne	ADTP703TU	700W	20%-100%
	Harmony	H703PTW	700W	10%-100%
Cooper	Aspire	9540	1000W	10%-100%
	Devine	DAL06P	300W	10%-100%

Light Blue USA has provided this dimmer switch compatibility chart for guidance when selecting a dimmer and lamp combination. Our lamps were tested for compatibility with the above listed dimmer. Dimmers that do not appear on the chart might still be compatible but have not tested.