



# SQUARE SLIM DOWNLIGHT CCT ADJUSTABLE

DOWNLIGHT SERIES

PROJECT:

PREPARED BY:

DATE:

TYPE:



## FEATURE

- Edge-lit technology
- No existing recessed housing required
- Dimming: Triac down to 10%
- IC Rated for direct contact with insulation
- Suitable for wet location
- Rate for long life - 50,000hrs
- 5CCT Selectable
- Compatible with 12-2 / 12-3 BX and MC Cable
- Maximum amount of 4 12AWG or 6 14AWG per Driver (Excluding Factory Installed Conductor)

## PERFORMANCE

• Wattage	9W	• Frequency	50/60Hz
• Input Power	120V	• Beam Angle	108°
• Size	4"	• CRI	90Ra
• Lumen	800LM	• Environment	Wet Location
• Efficacy	88.8LM/W	• Operating Temperature	-20° to 40°
• Dimming	Triac	• Certification	ETL
• Power Factor	>0.9	• Lifetime	50,000hrs

## ORDERING GUIDE

Model	Size	Wattage	Lumen	Color Temperature	Trim Finish
LB11452	4"	9W	800LM	27K/30K/35K/40K/50K 5CCT Selectable	White Black



# SQUARE SLIM DOWNLIGHT CCT ADJUSTABLE

DOWNLIGHT SERIES

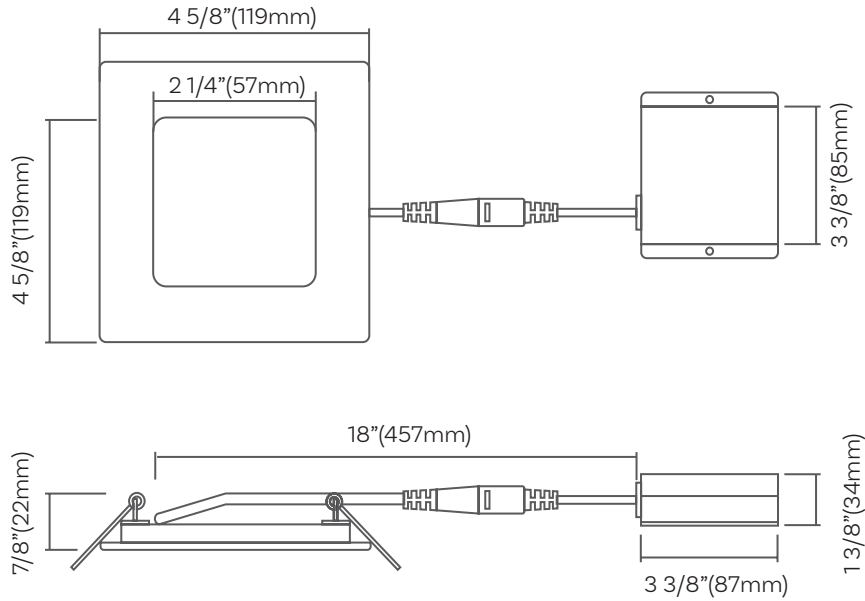
PROJECT:

PREPARED BY:

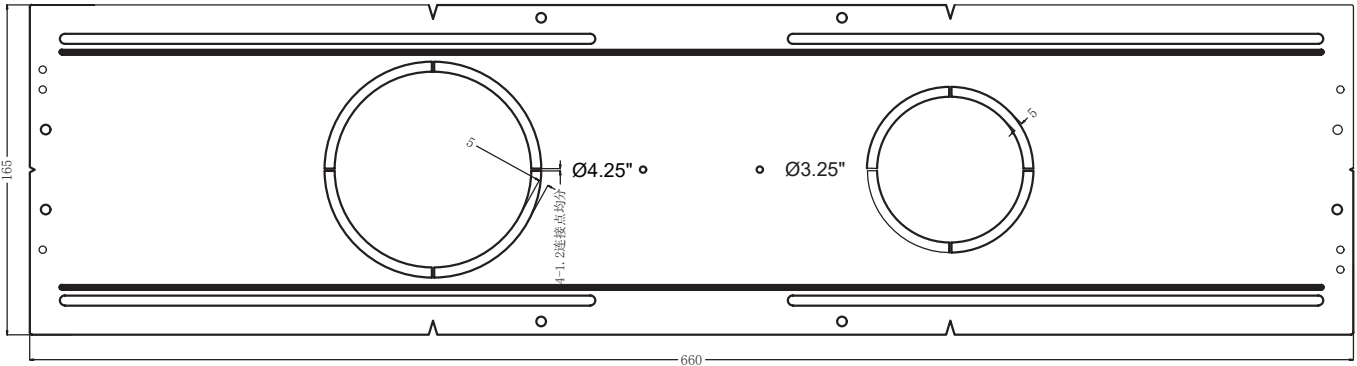
DATE:

TYPE:

## DIMENSION



## CONSTRUCTION PLATE



MODEL: LB15156

- General: Constructed of galvanized steel, this 4.25" round opening pre-mounting plate is used to mount our 4 inch slim downlight.
- Mounting: The plate includes mounting holes and tracks to satisfy any type of installation. Alignment notches on plate to help aligning multiple plates.



# SQUARE SLIM DOWNLIGHT CCT ADJUSTABLE

DOWNLIGHT SERIES

PROJECT:

PREPARED BY:

DATE:

TYPE:

## DIMMER COMPATIBLE LIST

BRAND	SERIES	MODEL	LOAD
LUTRON	SKYLARK CONTOUR	LECL-153P	150W
		CTCL-150H	150W
		LGCL-153PLH	150W
		CTCL-153P	150W
		SCL-153P	150W
		S-600P	600W
	CASETA	PD-6WCL	150W
		PD-5NE	150W
		PD-10NXD	250W
		DIVA	DVCL-153P
	TOGGLER	TGCL-153P	150W
	ARIADNI	AYCL-153P	150W
	MAESTRO	MACL-153M	600W
LEVITON	ILLUMATECH	IPL06	150W
		6672	150W
	SURESLIDE	6674	150W
EATON	SMART DIMMER	AAL06	300W
PASS & SEYMOUR	HARMONY	DCL453PTCCCV6	150W
GE	ROCKER	10464	150W
	TOGGLE	18027	150W