

INSTALLATION INSTRUCTIONS

Round/Square Regular Slim Panel lights

WARNING

IMPORTANT: NEVER attempt any work without shutting off the electricity.

- Read all instructions before installing.
- System is intended for installation by a qualified electrician in accordance with the National Electrical Code and local regulations.
- Go to the main fuse box, or circuit breaker. Place the main power switch in the "OFF" position and unscrew the fuse(s) or switch "OFF" the circuit breaker switch(es) that control the power to the fixture or room that you are working on.
- Place the wall switch in the "OFF" position.
- Supply conductors (Power Wires) Connecting the fixture must be rated minimum 90°C. If uncertain, consult an electrician.

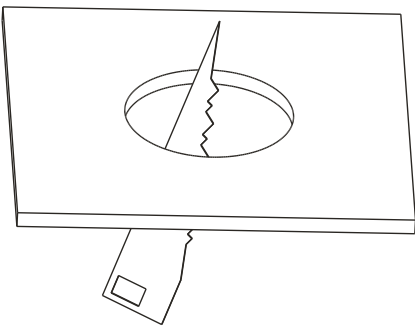
CAUTIONS

- These luminaires (fixtures) are designed to meet the cETLus requirements.
- Before installation, please check your local electrical code, as it sets the wiring standards for your locality.

Installation Instructions:

Turn power OFF from the electrical panel prior to installation.

1

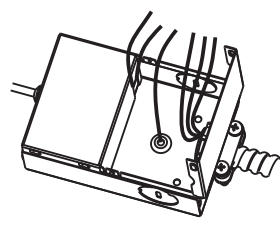


1. Determine the location for installation and cut ceiling hole in accordance with cut-hole dimensions.

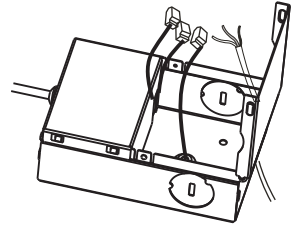
ROUND	Hole Size	Square	Hole Size
3 inches	φ 3.25"	3 inches	3.14"X3.14"
4 inches	φ 4.25"	4 inches	4.25"X4.25"
5 inches	φ 5.19"	5 inches	5.19"X5.19"
6 inches	φ 6.22"	6 inches	6.22"X6.22"

2

Option A (MC cable)

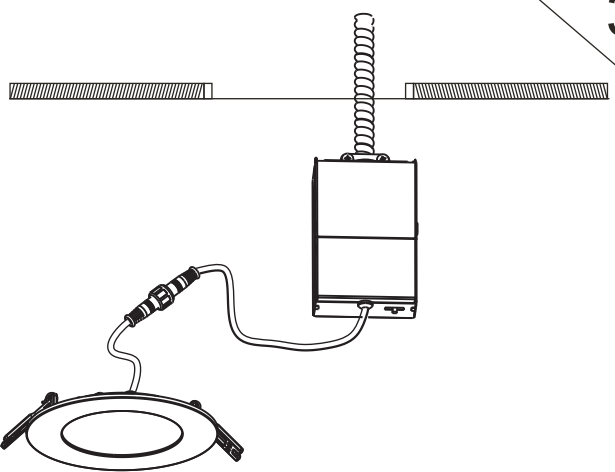


Option B (Regular electrical cable)



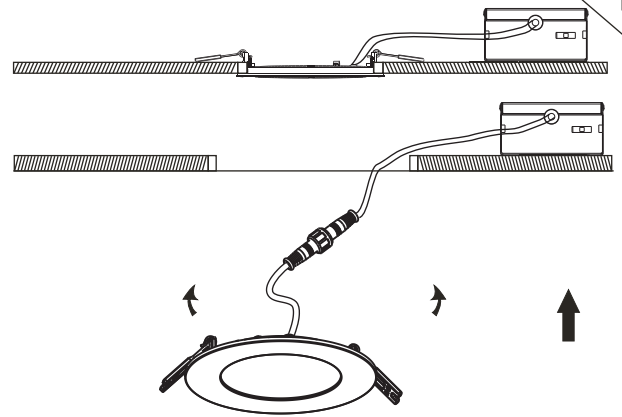
2. Open the junction box cover and remove the appropriate knockout(s) on the side panel. Insert the electrical supply cable through the knockout and secure with a cable connector (sold separately). Using quick-connect push-in terminals, connect the ground wire to the green wire terminal; black wire to black wire terminal; white wire to white wire terminal.

3



3. Place all wiring and connections back in to the box and close the cover. Connect the driver to the light panel. Insert junction box through the mounting hole.

4



4. Push spring-loaded clips on the fixture upwards and insert fixture base in to the mounting hole. Release the clips and fixture will be pulled flush to the ceiling. Finish the installation.