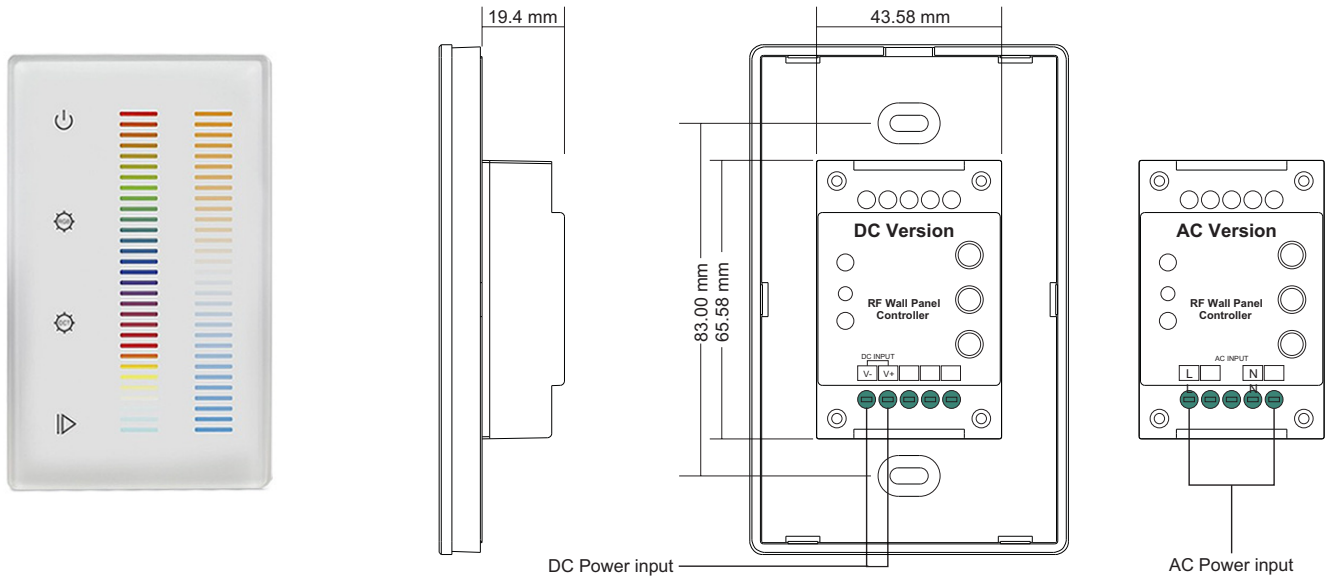


PREPARED BY:
PROJECT:
TYPE:



Wall Mounted RF RGBWW CONTROLLER CONTROLLER SERIES



FEATURES

- Ultra slim ultra sensitive high strength glass touch panel with dual touch sliders and back lighting
- 5 channel full touch LED controller for RGB+CCT, standard DMX signal output
- Dual touch sliders, one for RGB color tone adjustment and the other for CCT adjustment
- Control RGB color and CCT respectively without having to switch
- Each controller has 5 DMX channels output to control 1 zone of RGB+CCT LED lighting
- Compatible with universal DMX decoders
- Save up to 3 colors/scenes for each zone
- RGB channels' brightness and dual white channels' brightness can be adjustable respectively by keys
- RGB channels and dual color channels can be controlled separately without any confusion
- 10 built-in color changing effects are available with pause function
- LED indicators for back lighting enable users to find the controller easily even in the dark

SPECIFICATIONS

- Operating Temperature 0-40°C
- Waterproof IP20
- Relative humidity 8% to 80%
- Dimensions 2.95" x 4.72" x 1.15"
(75mm x 120mm x 29.1mm)

	DC Version	AC Version
Output Signal	RF signal	RF signal
Power Supply	12-24VDC	100-240VAC
Power consumption	< 20 mA	< 15 mA

ORDERING GUIDE

Model	Description
LB2834-5C-US	RF RGB+DUAL COLOR CONTROLLER

***Not compatible with magnetic drivers.**



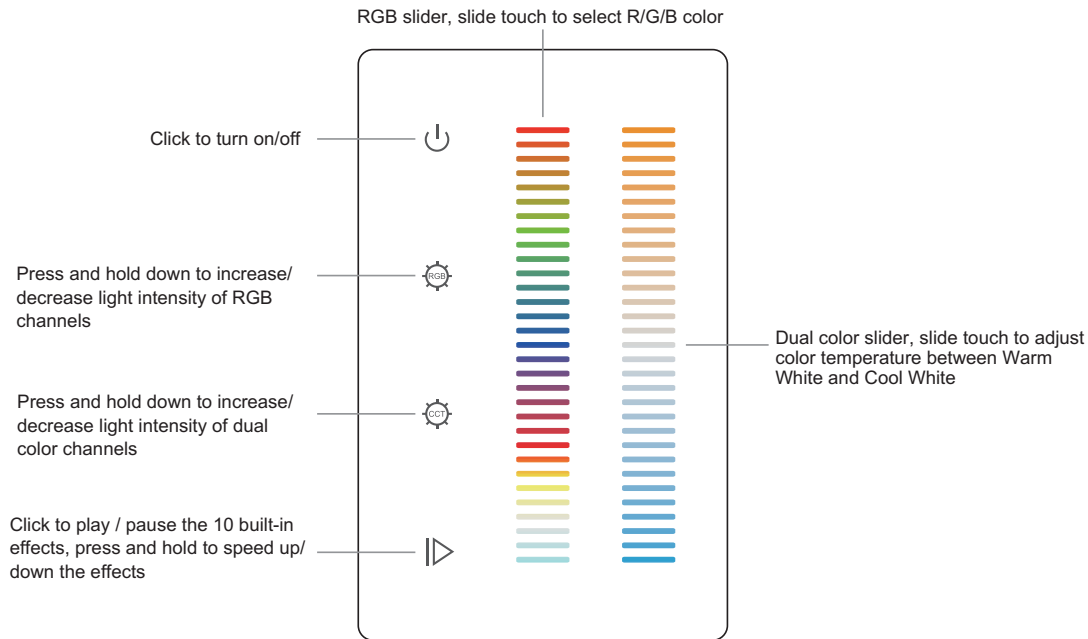
PREPARED BY:

PROJECT:

TYPE:



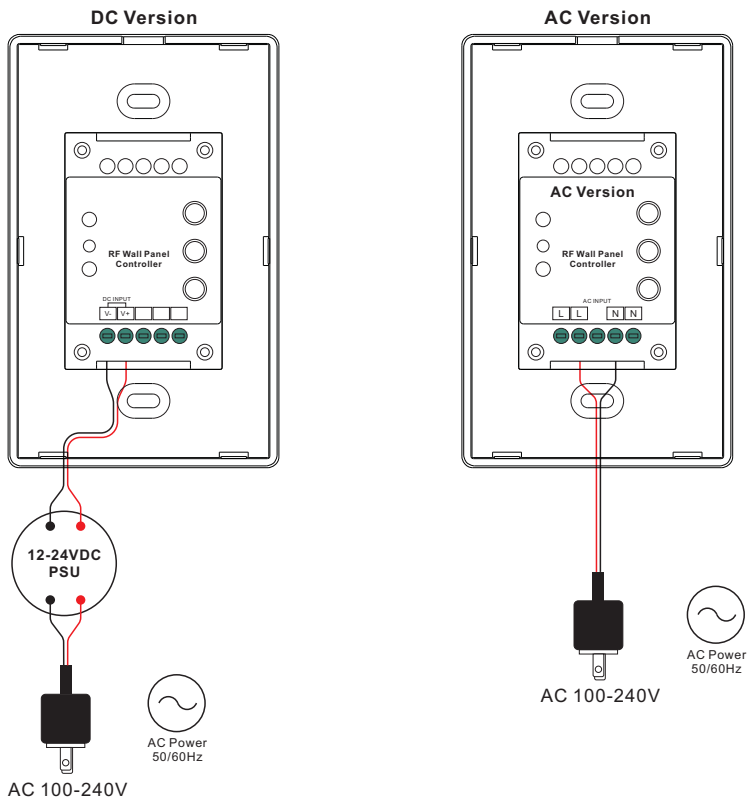
Wall Mounted RF RGBWW CONTROLLER CONTROLLER SERIES



Safety & Warnings

- DO NOT install with power applied to device.
- DO NOT expose the device to moisture.

Wiring diagram

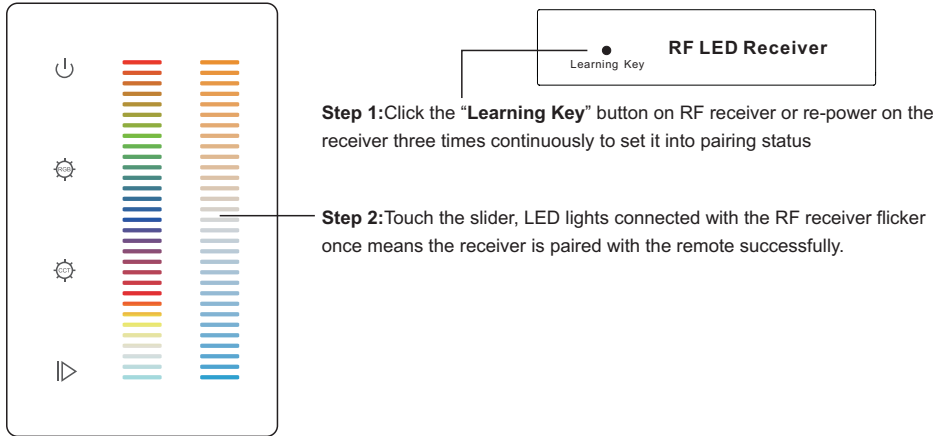




Operation

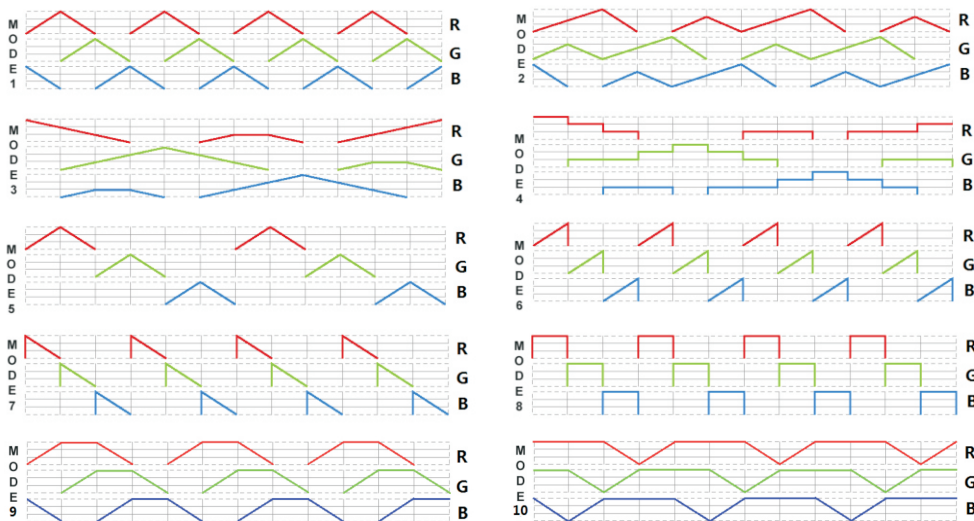
1. Do wiring the wall panel & RF receiver according to wiring diagram (please refer to the instruction of RF receiver that you would like to pair with)
2. Power on, then touch the button to turn on the controll , indicator of the controller turned blue

Pair with RF receiver



Built-in 10 color changing modes are as follows:

- Mode 1: Any two colors of RGB mix fade-in & fade-out
- Mode 2: RGB three colors mix fade-in & fade-out
- Mode 3: RGB three colors mix fade-out & fade-in
- Mode 4: RGB flash
- Mode 5: RGB three colors fade-in & fade-out successively
- Mode 6: RGB three colors fade-in successively
- Mode 7: RGB three colors fade-out successively
- Mode 8: RGB three colors jump changing successively
- Mode 9: R&B two colors mix fade (R in B out), then G fade-in, then R&B mix fade (R out B in), then G fade-out
- Mode 10: B fade-out, then G&B mix fade (G out B in), then R&G mix fade (R out G in), then R fade-in



PREPARED BY:

PROJECT:

TYPE:



Wall Mounted RF RGBWW CONTROLLER CONTROLLER SERIES

Installation

