

REMOTE CONTROLLER

RGBW DMX512 / RF CONTROLLER

SPECIFICATIONS:

| | |
|---------------------|--|
| Operation Voltage | 12V/24V DC |
| Operation Frequency | RF/DMX512 Signal |
| Dimensions | 4.72" x 2.95" x 1.16" (L 120mm x W 75mm x H 29.5mm) |

MODEL

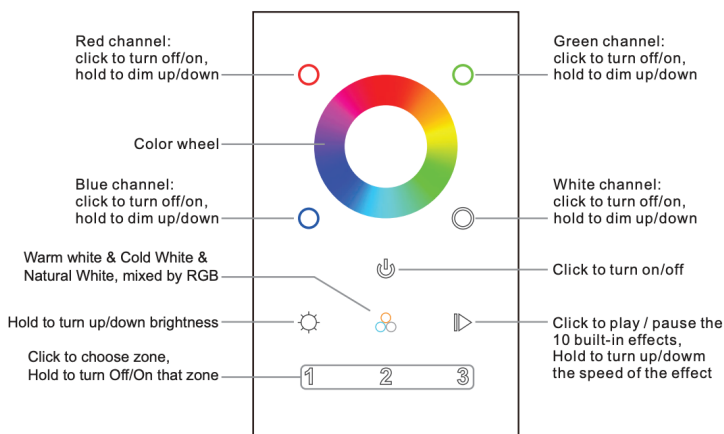
LB2820-B

PRODUCT FEATURES:

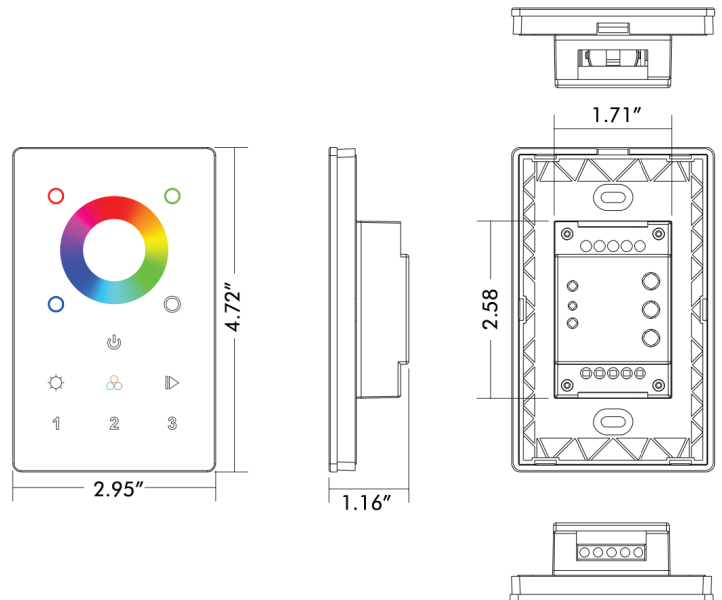
- Touch sensitive
- Glass interface (white & black)
- Control 3 zones synchronously and separately
- DMX +RF output (can work as both DMX master or RF remote)
- RF output working as a RF remote 3 zones



BRIEF INTRODUCTION OF BUTTONS



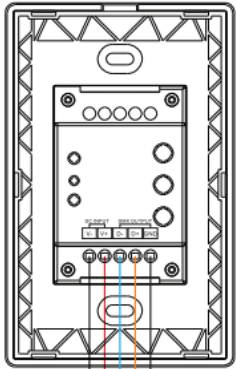
SIZE



REMOTE CONTROLLER

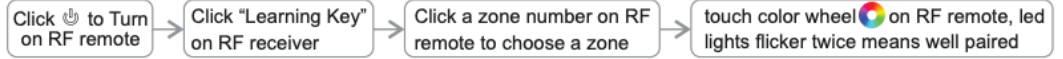
RGBW DMX512 / RF CONTROLLER

WIRING DIAGRAM



OPERATION

1. Pair with RF receivers:

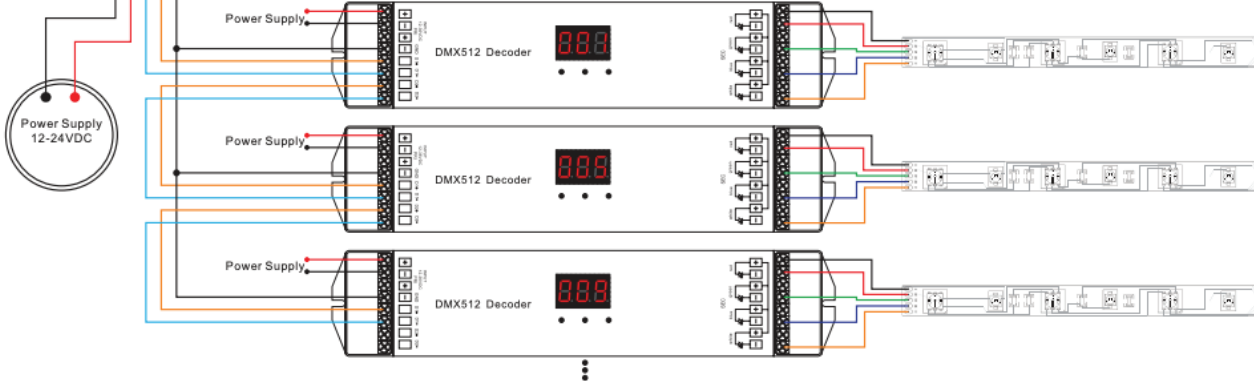


2. Play the remote after pairing:

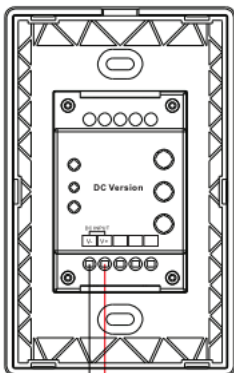


5. How to delete the pairing:

Power on the RF receiver, hold the "Learning Key" over 3 seconds until connected led lights flicker twice means well deleted.



WIRING DIAGRAM



110V-230VAC



INSTALLATION

