



SURFACE DISK LIGHT

CEILING FIXTURES

PROJECT:

PREPARED BY:

DATE:

TYPE:



FEATURES

The Surface Mount Disk Light adds a clean modern look to any room where its placed. Versatile application design allows for installation with 3” or 4” J-Box and 5” or 6” Line Voltage Housing. The compact integrated driver provides a sleek silhouette which simultaneously contributes to overall functionality. Multiple Color Temperature options are available, as well as 3 different Trim Finishes.

PERFORMANCE

- Size: 5” / 7” / 9” / 12” / 15” / 18”
- Input Power: 120V
- CRI: 80+
- Environment: Damp
- Certification: ETL
- Material: Steel,rylic
- Dimming: Triac
- Operating Temperature: -20°C to 40°C
- Height: 0.39”
- Warranty: 5 Year
- Driver: Internal

ORDERING GUIDE

Model	Size	Wattage	Lumens	Efficacy	CCT	Finish
LB76348	5”	10W	600LM	64LM/W	2700K	White
LB76318	7”	16W	1100LM	69LM/W	3000K	Brushed Nickel
LB76313	9”	18W	1440LM	80LM/W	3500K	Black
LB76350	12”	24W	2160LM	90LM/W	5000K	CCT Selectable
LB76352	15”	36W	3600LM	100LM/W		
LB76354	19”	35W	2200LM	63LM/W		



SURFACE DISK LIGHT

CEILING FIXTURES

PROJECT:

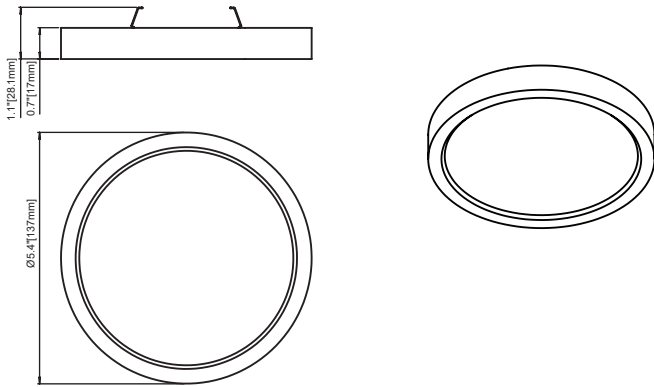
PREPARED BY:

DATE:

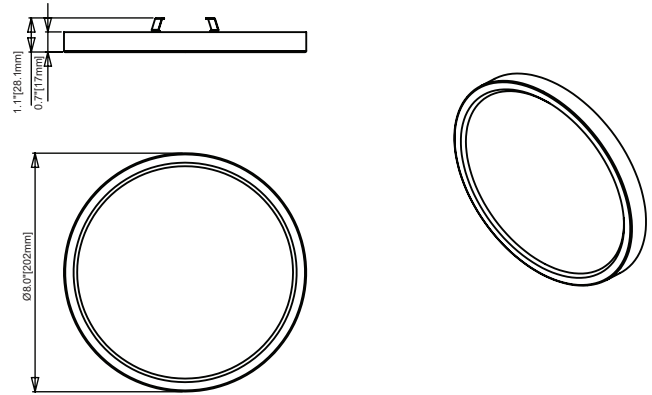
TYPE:

DIMENSIONS

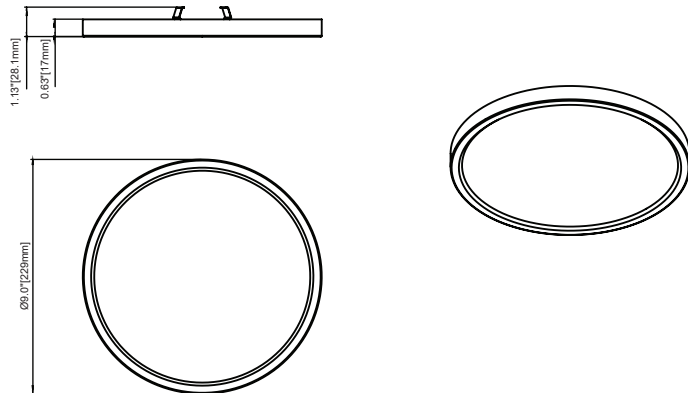
5 INCH



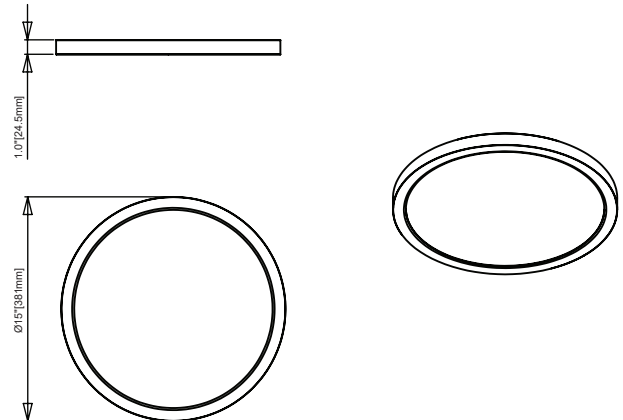
7 INCH



9 INCH



15 INCH



19 INCH

